

F.I.S.O.

Fabbrica Italiana Strumenti Oftalmici

a brand of FE-GROUP



MADE IN ITALY

english

Refraction units and accessories

innovation, versatility and automation

Easyvisus line

• Easyvisus RM64 Compact - 2 instruments	6
• Easyvisus RM64 - 2 instruments	8
• Easyvisus RM64 Compact - 3 instruments.....	10
• Easyvisus RM64 - 3 instruments.....	12
• Easyvisus MS33 - 2 instruments	14
• Easyvisus MS33 - 3 instruments	16
• Easyvisus Curve	18
• Easyvisus One	20
• Easyvisus Two	22

Panvisus line

• Panvisus Trio	26
• Panvisus Duo	28
• Panvisus Onda Lens	30
• Panvisus Moon Lens	32
• Panvisus Moon	34
• Panvisus Rondo Lens	36
• Panvisus Rondo	38
• Panvisus Compact Rondo	40
• Panvisus Doublette	42
• Panvisus Onette	44
• Simplevisus & Monovisus	46
Refraction units and chairs colours	48
Chairs	50
Accessories	52
Drawers and Contactology Sets	54
Tables	56
Stools and work chairs	62

Easyvisus refraction units

The new and innovative line
of refraction units as result
of F.I.S.O. and FE-Group cooperation

AN INTRODUCTION TO EASYVISUS

FE-Group is pleased to present F.I.S.O., brand that recently joined the Group aiming to expand its range of ophthalmic units and providing to customers more than 25 years of experience and after-sales service of absolute excellence.

Easyvisus is the new line of refraction units, characterised by a new design and innovative technological solutions, such as:

- Rotating or either manual or electric sliding table for 2 instruments; manual rotating or automatic positioning table for 3 instruments; electric up/down movement of both table and chair.
- LCD control panel with customizable logo.
- Innovative joystick for controlling both chair and table up/down movement and for locking the table.
- LED reading light and dimmable LED ambient light.
- Suitable for wheelchair users: the table, with a minimum height of 76 cm, can be fully opened in the correct position to carry out the examination of the patient seated in a wheelchair.
- Compatible with all types of instruments.

Easyvisus RM64 Compact - 2 instruments



400930
with rotating table with DRAWER

400900
with rotating table

FEATURES AND STANDARD EQUIPMENT

- Rotating table for two instruments with electric height adjustment and with or without drawer with tray for trial lenses, or electric or manual sliding table for two instruments with electric height adjustment.
- LCD control panel with customizable logo.
- Innovative joystick for controlling both chair and table up/down movement and for locking the table.
- Electromagnetic locking of both rotating table and table arm.
- PRIMA chair with electric height adjustment, with black skai upholstery and without footrest.
- Power supply for the slit lamp transformer inside main unit.
- Aluminium pole equipped with both dimmable LED ambient light, LED reading light and support plate for chart projector.
- Painted steel base equipped with adjustable feet.
- Two-tone painting: white and grey / light grey / honey grey / white.
- Suitable for wheelchair users: the table, with a minimum height of 76 cm, can be fully opened in the correct position to carry out the examination of the patient seated in a wheelchair.

For more information

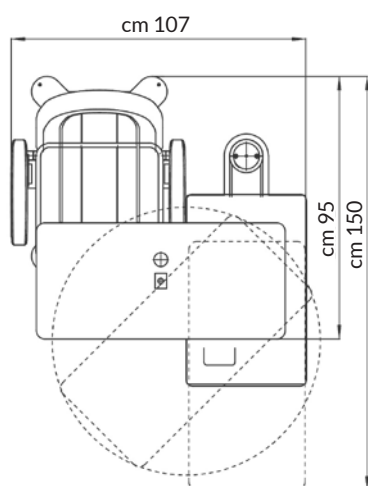


STANDARD CONFIGURATIONS*

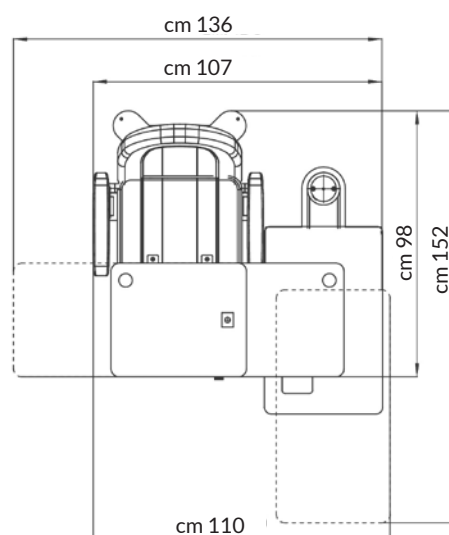
400900	EASYVISUS RM64 COMPACT - with electrical height adjustable rotating table for two instruments.
400930	EASYVISUS RM64 COMPACT - with electrical height adjustable rotating table for two instruments provided WITH DRAWER with wooden tray for 148 trial lenses.
400950	EASYVISUS RM64 COMPACT - with electrical height adjustable and manual sliding table for two instruments.
400955	EASYVISUS RM64 COMPACT - with electrical height adjustable and electrical sliding table for two instruments.

* All standard configurations include the PRIMA chair with electric height adjustment, with black skai upholstery and without footrest. The refraction unit with electrical sliding table (400955) is only available in the right-handed version and, optionally, also with other chair models instead of the PRIMA chair. All the other configurations (400900, 400930, 400950) are optionally also available in a left-handed version (respectively: 400900S, 400930S, 400950S) and/or with other chair models instead of the PRIMA chair. For refraction unit and chair colours and chair features, see pages 48 and 50.

TO KNOW MORE ASK FOR OUR PRICE LIST.



400900 AND 400930 DIMENSIONS
(WITH ROTATING TABLE)



400950 AND 400955 DIMENSIONS
(WITH SLIDING TABLE)

ACCESSORIES AND SPECIAL VERSIONS (PAGE 52)

- Counterbalanced phoropter arm.
- Stand for automatic phoropter console with metal base.
- Tip-up footrest for Prima chair.
- Either Gloria, Liberty, Sonne or Alles chair, instead of Prima chair.
- Motorized backward/forward movement of the chair.
- Additional power supply for instruments (6Vac/7,5Vac/12Vac) and related potentiometer on table.
- Wood tray with either 148 flat trial lenses (51-AL) or 148 meniscus trial lenses (61-AL), for 400930 and 400930S.
- Polished metallic painting (grey, green, light blue).
- All F.I.S.O.'s chair coverings other than black.
- Left-handed version, excepting for the unit with electrical sliding table.

Easyvisus RM64 - 2 instruments



400600
with rotating table

FEATURES AND STANDARD EQUIPMENT

- Rotating table for two instruments with electric height adjustment and with or without drawer with tray for trial lenses, or electric or manual sliding table for two instruments with electric height adjustment.
- **Desk with drawer with tray for 236 trial lenses.**
- LCD control panel with customizable logo.
- Innovative joystick for controlling both chair and table up/down movement and for locking the table.
- Electromagnetic locking of both rotating table and table arm.
- PRIMA chair with electric height adjustment, with black skai upholstery and without footrest.
- Power supply for the slit lamp transformer inside main unit.
- Aluminium pole equipped with both dimmable LED ambient light, LED reading light and support plate for chart projector.
- Painted steel base equipped with adjustable feet.
- Two-tone painting: white and grey / light grey / honey grey / white.

For more information

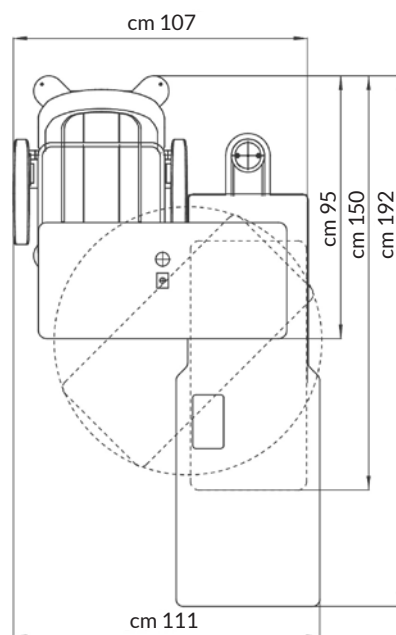


STANDARD CONFIGURATIONS*

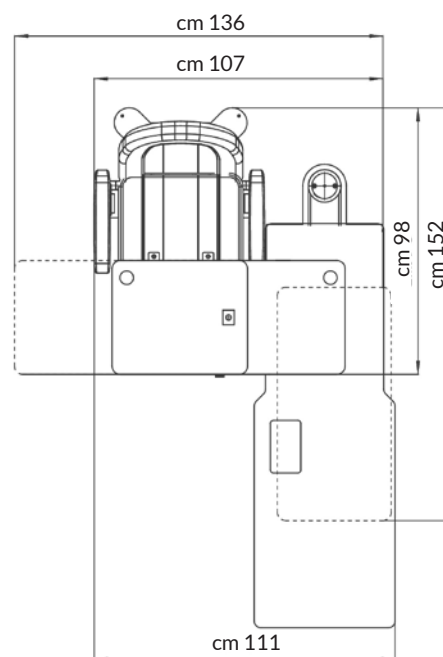
400600	EASYVISUS RM64 - with electrical height adjustable rotating table for two instruments. Desk with drawer with tray for 236 trial lenses.
400630	EASYVISUS RM64 - with electrical height adjustable rotating table for two instruments provided WITH DRAWER with wooden tray for 148 trial lenses – Desk with drawer with tray for 236 trial lenses - (two drawers in total).
400650	EASYVISUS RM64 - with electrical height adjustable and manual sliding table for two instruments – Desk with drawer with tray for 236 trial lenses.
400655	EASYVISUS RM64 - with electrical height adjustable and electrical sliding table for two instruments – Desk with drawer with tray for 236 trial lenses.

* All standard configurations include the PRIMA chair with electric height adjustment, with black skai upholstery and without footrest. The refraction unit with electrical sliding table (400655) is only available in the right-handed version and, optionally, also with other chair models instead of the PRIMA chair. All the other configurations (400600, 400630, 400650) are optionally also available in a left-handed version (respectively: 400600S, 400630S, 400650S) and/or with other chair models instead of the PRIMA chair. For refraction unit and chair colours and chair features, see pages 48 and 50.

TO KNOW MORE ASK FOR OUR PRICE LIST.



400600 AND 400630 DIMENSIONS
(WITH ROTATING TABLE)



400650 AND 400655 DIMENSIONS
(WITH SLIDING TABLE)

ACCESSORIES AND SPECIAL VERSIONS (PAGE 52)

- Counterbalanced phoropter arm.
- Stand for automatic phoropter console with metal base.
- Tip-up footrest for Prima chair.
- Either Gloria, Liberty, Sonne or Alles chair, instead of Prima chair.
- Motorized backward/forward movement of the chair.
- Additional power supply for instruments (6Vac/7,5Vac/12Vac) and related potentiometer on table.
- Wood tray with either 148 flat trial lenses (51-AL) or 148 meniscus trial lenses (61-AL), for 400630 and 400630S.
- Polished metallic painting (grey, green, light blue).
- All F.I.S.O.'s chair coverings other than black.
- Left-handed version, excepting for the unit with electrical sliding table.

Easyvisus RM64 Compact - 3 instruments



400985
with automatic positioning
table for three instruments

400980
with manual rotating table
for three instruments

FEATURES AND STANDARD EQUIPMENT

- Manual rotating table for three instruments or automatic positioning table for three instruments, with electric height adjustment.
- LCD control panel with customizable logo.
- Innovative joystick for controlling both chair and table up/down movement and for locking the table.
- Electromagnetic locking of both rotating table and table arm.
- PRIMA chair with electric height adjustment, with black skai upholstery and without footrest.
- Power supply for the slit lamp transformer inside main unit.
- Aluminium pole equipped with both dimmable LED ambient light, LED reading light and support plate for chart projector.
- Painted steel base equipped with adjustable feet.
- Two-tone painting: white and grey / light grey / honey grey / white.
- Suitable for wheelchair users: the table, with a minimum height of 76 cm, can be fully opened in the correct position to carry out the examination of the patient seated in a wheelchair.

For more information

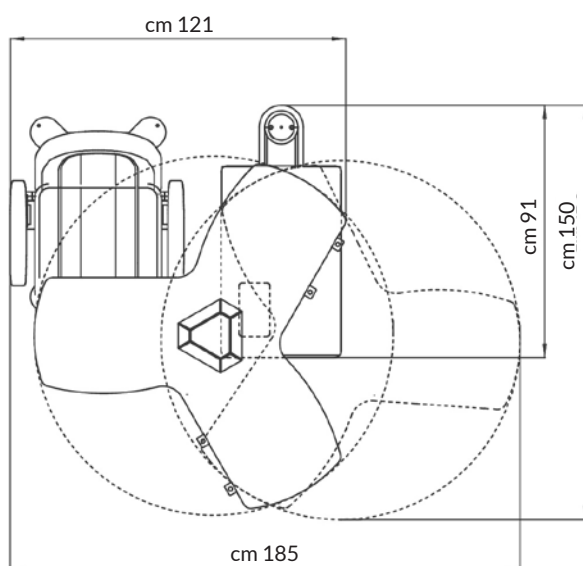


STANDARD CONFIGURATIONS*

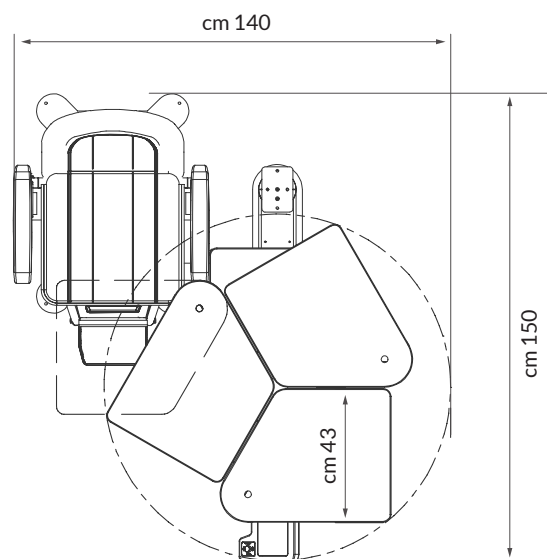
400980	EASYVISUS RM64 COMPACT - with electrical height adjustable and manual rotating table for three instruments.
400985	EASYVISUS RM64 COMPACT - with electrical height adjustable and automatic positioning table for three instruments.

* All standard configurations include the PRIMA chair with electric height adjustment, with black skai upholstery and without footrest. The refraction unit with manual rotating table is optionally also available in a left-handed version (400980S) and/or with other chair models instead of the PRIMA chair. The refraction unit with automatic positioning table is only available in the right-handed version and, optionally, also with other chair models instead of the PRIMA chair. For refraction unit and chair colours and chair features, see pages 48 and 50.

TO KNOW MORE ASK FOR OUR PRICE LIST.



400980 DIMENSIONS
(WITH MANUAL ROTATING TABLE)



400985 DIMENSIONS
(WITH AUTOMATIC POSITIONING TABLE)

ACCESSORIES AND SPECIAL VERSIONS (PAGE 52)

- Counterbalanced phoropter arm.
- Stand for automatic phoropter console with metal base.
- Tip-up footrest for Prima chair.
- Either Gloria, Liberty, Sonne or Alles chair, instead of Prima chair.
- Motorized backward/forward movement of the chair.
- Additional power supply for instruments (6Vac/7,5Vac/12Vac) and related potentiometer on table.
- Polished metallic painting (grey, green, light blue).
- All F.I.S.O.'s chair coverings other than black.
- Left-handed version only for the units with manual rotating table.

Easyvisus RM64 - 3 instruments



400785
with automatic positioning
table for three instruments

400700
with manual rotating table
for three instruments

FEATURES AND STANDARD EQUIPMENT

- Manual rotating table for three instruments or automatic positioning table for three instruments, with electric height adjustment.
- **Desk with drawer with tray for 236 trial lenses.**
- LCD control panel with customizable logo.
- Innovative joystick for controlling both chair and table up/down movement and for locking the table.
- Electromagnetic locking of both rotating table and table arm.
- PRIMA chair with electric height adjustment, with black skai upholstery and without footrest.
- Power supply for the slit lamp transformer inside main unit.
- Aluminium pole equipped with both dimmable LED ambient light, LED reading light and support plate for chart projector.
- Painted steel base equipped with adjustable feet.
- Two-tone painting: white and grey / light grey / honey grey / white.

For more information

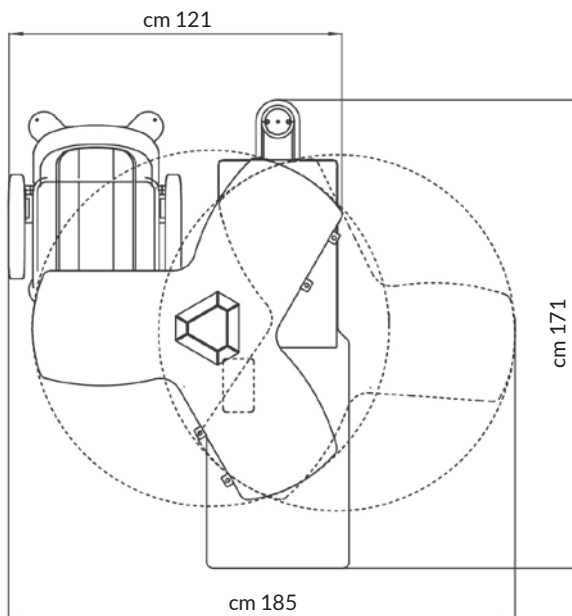


STANDARD CONFIGURATIONS*

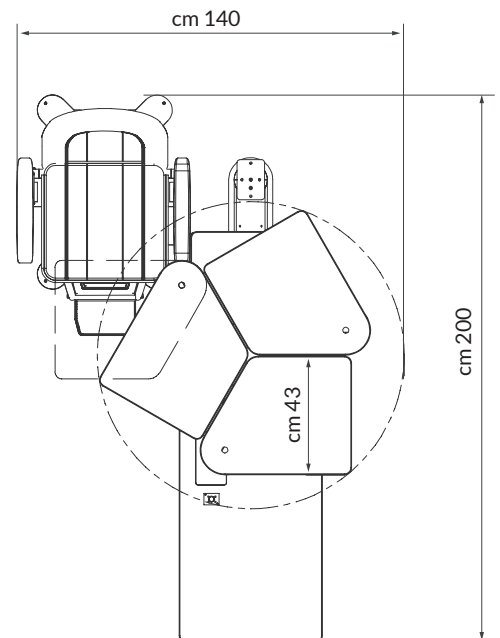
400700	EASYVISUS RM64 - with electrical height adjustable and manual rotating table for three instruments – Desk with drawer with tray for 236 trial lenses.
400785	EASYVISUS RM64 - with electrical height adjustable and automatic positioning table for three instruments – Desk with drawer with tray for 236 trial lenses.

* All standard configurations include the PRIMA chair with electric height adjustment, with black skai upholstery and without footrest. The refraction unit with manual rotating table is optionally also available in a left-handed version (400700S) and/or with other chair models instead of the PRIMA chair. The refraction unit with automatic positioning table is only available in the right-handed version and, optionally, also with other chair models instead of the PRIMA chair. For refraction unit and chair colours and chair features, see pages 48 and 50.

TO KNOW MORE ASK FOR OUR PRICE LIST.



400700 DIMENSIONS
(WITH MANUAL ROTATING TABLE)



400785 DIMENSIONS
(WITH AUTOMATIC POSITIONING TABLE)

ACCESSORIES AND SPECIAL VERSIONS (PAGE 52)

- Counterbalanced phoropter arm.
- Stand for automatic phoropter console with metal base.
- Tip-up footrest for Prima chair.
- Either Gloria, Liberty, Sonne or Alles chair, instead of Prima chair.
- Motorized backward/forward movement of the chair.
- Additional power supply for instruments (6Vac/7,5Vac/12Vac) and related potentiometer on table.
- Polished metallic painting (grey, green, light blue).
- All F.I.S.O.'s chair coverings other than black.
- Left-handed version only for the units with manual rotating table.

Easyvisus MS33 - 2 instruments



400230
with rotating table
with DRAWER

400200
with rotating table

FEATURES AND STANDARD EQUIPMENT

- Rotating table for two instruments, with or without drawer with tray for trial lenses, or sliding table for two instruments, with electric up/down movement.
- LCD control panel with customizable logo.
- Innovative joystick for controlling both chair and table up/down movement and for locking the table.
- Electromagnetic locking of both rotating table and table arm.
- PRIMA chair with electric height adjustment, with black skai upholstery and without footrest.
- Power supply for the slit lamp transformer inside main unit.
- Aluminium pole equipped with both dimmable LED ambient light, LED reading light and support plate for chart projector.
- Painted steel base equipped with adjustable feet.
- One tone painting: white or grey or light grey or honey grey; or two-tone painting: white and grey / light grey / honey grey / white.

For more information

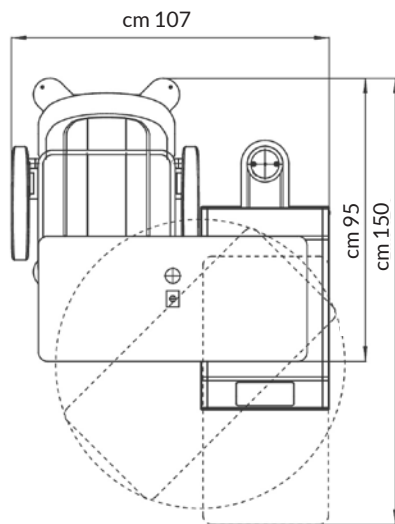


STANDARD CONFIGURATIONS*

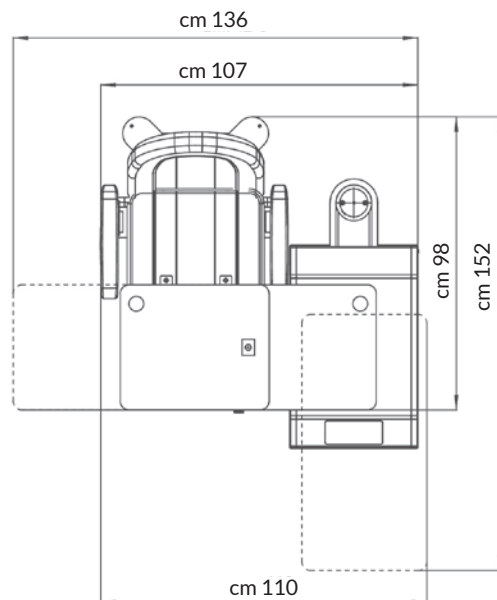
400200	EASYVISUS MS33 - with electrical height adjustable rotating table for two instruments.
400230	EASYVISUS MS33 - with electrical height adjustable rotating table for two instruments provided WITH DRAWER with wooden tray for 148 trial lenses.
400250	EASYVISUS MS33 - with electrical height adjustable and manual sliding table for two instruments.

* All standard configurations include the PRIMA chair with electric height adjustment, with black skai upholstery and without footrest. All configurations are optionally also available in a left-handed version (respectively: 400200S, 400230S, 400250S) and/or with other chair models instead of the PRIMA chair. For refraction unit and chair colours and chair features, see pages 48 and 50.

TO KNOW MORE ASK FOR OUR PRICE LIST.



400200 AND 400230 DIMENSIONS
(WITH ROTATING TABLE)



400250 DIMENSIONS
(WITH SLIDING TABLE)

ACCESSORIES AND SPECIAL VERSIONS (PAGE 52)

- Counterbalanced phoropter arm.
- Stand for automatic phoropter console with metal base.
- Tip-up footrest for Prima chair.
- Either Gloria, Liberty, Sonne or Alles chair, instead of Prima chair.
- Motorized backward/forward movement of the chair.
- Additional power supply for instruments (6Vac/7,5Vac/12Vac) and related potentiometer on table.
- Wood tray with either 148 flat trial lenses (51-AL) or 148 meniscus trial lenses (61-AL), for 400230 and 400230S.
- Polished metallic painting (grey, green, light blue).
- All F.I.S.O.'s chair coverings other than black.
- Left-handed version.

Easyvisus MS33 - 3 instruments



FEATURES AND STANDARD EQUIPMENT

- Manual rotating table for three instruments, with electric height adjustment.
- LCD control panel with customizable logo.
- Innovative joystick for controlling both chair and table up/down movement and for locking the table.
- Electromagnetic locking of both rotating table and table arm.
- PRIMA chair with electric height adjustment, with black skai upholstery and without footrest.
- Power supply for the slit lamp transformer inside main unit.
- Aluminium pole equipped with both dimmable LED ambient light, LED reading light and support plate for chart projector.
- Painted steel base equipped with adjustable feet.
- One tone painting: white or grey or light grey or honey grey; or two-tone painting: white and grey / light grey / honey grey / white.

For more information



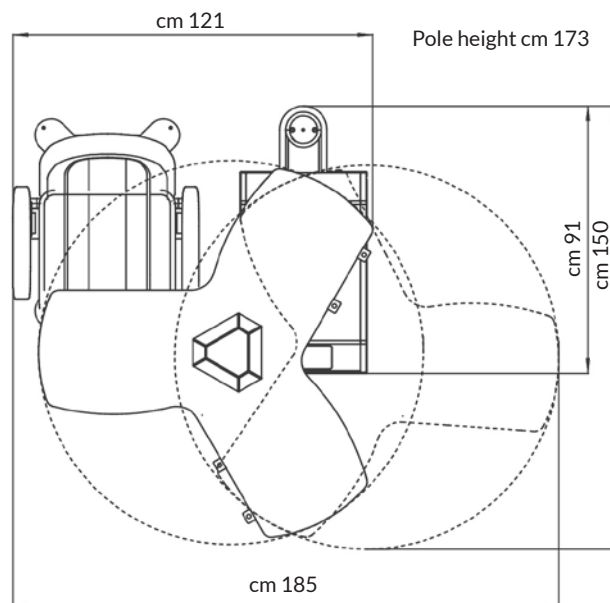
STANDARD CONFIGURATIONS*

400300

EASYVISUS MS33 - with electrical height adjustable and manual rotating table for three instruments.

* All standard configurations include the PRIMA chair with electric height adjustment, with black skai upholstery and without footrest. The refraction unit is optionally also available in a left-handed version (400300S) and/or with other chair models instead of the PRIMA chair. For refraction unit and chair colours and chair features, see pages 48 and 50.

TO KNOW MORE ASK FOR OUR PRICE LIST.



ACCESSORIES AND SPECIAL VERSIONS (PAGE 52)

- Counterbalanced phoropter arm
- Stand for automatic phoropter console with metal base.
- Tip-up footrest for Prima chair.
- Either Gloria, Liberty, Sonne or Alles chair, instead of Prima chair.
- Motorized backward/forward movement of the chair.
- Additional power supply for instruments (6Vac/7,5Vac/12Vac) and related potentiometer on table.
- Polished metallic painting (grey, green, light blue).
- All F.I.S.O.'s chair coverings other than black.
- Left-handed version.



400550
with sliding table

400530
with rotating table with DRAWER

FEATURES AND STANDARD EQUIPMENT

- Rotating table for two instruments, with or without drawer with tray for trial lenses, or sliding table for two instruments, with fixed height.
- Electromagnetic locking of both rotating table and table arm.
- PRIMA chair with electric height adjustment, with black skai upholstery and without footrest.
- Power supply for the slit lamp transformer inside main unit.
- Aluminium pole equipped with LED reading light and support plate for chart projector.
- Painted steel base equipped with adjustable feet.
- One tone painting: white or grey or light grey or honey grey; or two-tone painting: white and grey / light grey / honey grey / white

For more information

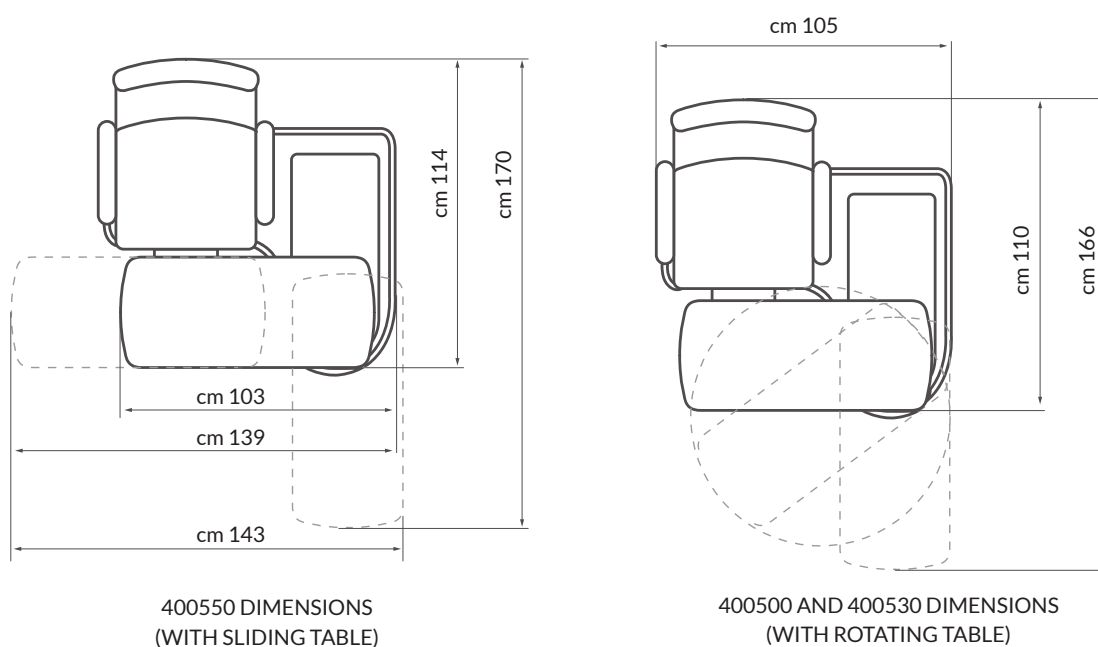


STANDARD CONFIGURATIONS*

400500	EASYVISUS CURVE - with rotating table.
400530	EASYVISUS CURVE - with rotating table WITH DRAWER
400550	EASYVISUS CURVE - with sliding table.

* All standard configurations include the PRIMA chair with electric height adjustment, with black skai upholstery and without footrest. All configurations are optionally also available in a left-handed version (respectively: 400500S, 400530S, 400550S) and/or with other chair models instead of the PRIMA chair. For refraction unit and chair colours and chair features, see pages 48 and 50.

TO KNOW MORE ASK FOR OUR PRICE LIST.



ACCESSORIES AND SPECIAL VERSIONS (PAGE 52)

- Counterbalanced phoropter arm.
- Stand for automatic phoropter console with metal base.
- Foot switch control for chair up/down movement.
- Tip-up footrest for Prima chair.
- Either Gloria, Liberty, Sonne or Alles chair, instead of Prima chair.
- Motorized backward/forward movement for Prima or Gloria or Liberty chair, complete with additional footswitch control.
- Additional power supply for instruments (6Vac/7,5Vac/12Vac) and related potentiometer on table.
- Wood tray with either 148 flat trial lenses (51-AL) or 148 meniscus trial lenses (61-AL), for 400530 and 400530S.
- Polished metallic painting (grey, green, light blue).
- All F.I.S.O.'s chair coverings other than black.
- Left-handed version.



FEATURES AND STANDARD EQUIPMENT

- Fixed height table for one instrument.
- Mechanic locking of table arm in all positions.
- PRIMA chair with electric height adjustment, with no rotation and without footrest, with black skai upholstery.
- 230V power supply for the instrument.
- Aluminium pole equipped with LED reading light and support plate for chart projector.
- One tone painting: white or grey or light grey or honey grey; or two-tone painting: white and grey / light grey / honey grey / white.

For more information

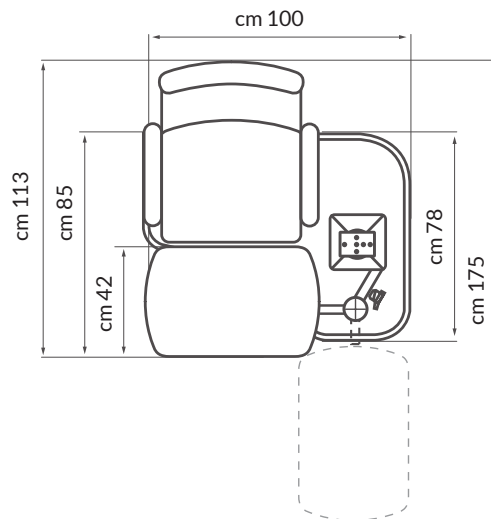


STANDARD CONFIGURATION*

400100	EASYVISUS ONE - Refraction unit with fixed height table for one instrument, with mechanic locking of table arm in all positions, with chair with electric height adjustment. Very compact dimensions: only 100 cm wide!
--------	--

*The standard configuration includes the PRIMA chair with electric height adjustment, with no rotation and without footrest, with black skai upholstery. The refraction unit is optionally also available in a left-handed version (400100S) and/or with other chair models instead of the PRIMA chair. For refraction unit and chair colours and chair features, see pages 48 and 50.

TO KNOW MORE ASK FOR OUR PRICE LIST.



400100 DIMENSIONS

ACCESSORIES AND SPECIAL VERSIONS (PAGE 52)

- Counterbalanced phoropter arm.
- Stand for automatic phoropter console with metal base.
- Cover box to mask control unit of automatic phoropter.
- Foot switch control for chair up/down movement.
- Prima chair with 360° rotation and either with or without tip-up footrest.
- Either Gloria, Liberty, Sonne or Alles chair, instead of Prima chair.
- Polished metallic painting (grey, green, light blue).
- All F.I.S.O.'s chair coverings.
- Left-handed version.



FEATURES AND STANDARD EQUIPMENT

- Fixed height V shaped table for two instruments, equipped with special mechanism for perfect centring of instruments.
- Mechanic locking of table arm in all positions.
- PRIMA chair with electric height adjustment, with black skai upholstery and without footrest.
- Transformer for instruments power supply.
- Aluminium pole equipped with LED reading light and support plate for chart projector.
- Anti-dust foldaway drawer for ophthalmoscope and skiascope.
- One tone painting: white or grey or light grey or honey grey; or two-tone painting: white and grey / light grey / honey grey / white.

For more information

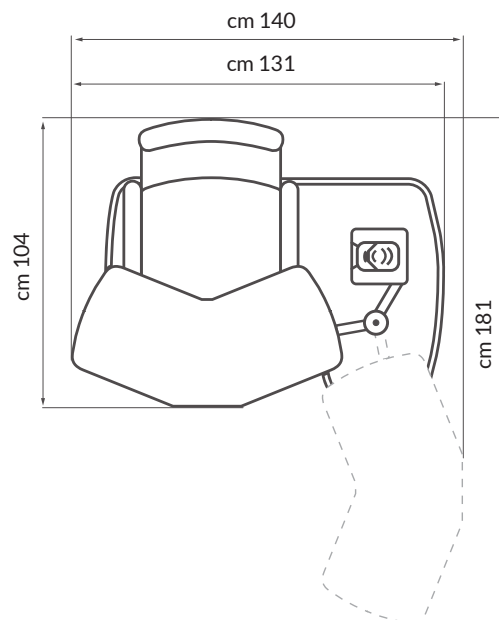


STANDARD CONFIGURATION*

400102	EASYVIVISUS TWO Refraction unit with fixed height V shaped table for two instruments equipped with special mechanism for perfect centring of instruments, with mechanic locking of table arm in all positions, with chair with electric height adjustment.
--------	--

*The standard configuration includes the PRIMA chair with electric height adjustment, with black skai upholstery and without footrest. The refraction unit is optionally also available in a left-handed version (400102S) and/or with other chair models instead of the PRIMA chair. For refraction unit and chair colours and chair features, see pages 48 and 50.

TO KNOW MORE ASK FOR OUR PRICE LIST.




400102 DIMENSIONS

ACCESSORIES AND SPECIAL VERSIONS (PAGE 52)

- Counterbalanced phoropter arm.
- Stand for automatic phoropter console with metal base.
- Cover box to mask control unit of automatic phoropter.
- Foot switch control for chair up/down movement.
- Tip-up footrest for Prima chair.
- Either Gloria, Liberty, Sonne, Alles or Doctor chair, instead of Prima chair.
- Polished metallic painting (grey, green, light blue).
- All F.I.S.O.'s chair coverings other than black.
- Left-handed version.

Panvisus refraction units





F.I.S.O.'s Panvisus units are recognized in the national and international ophthalmology market for their durability, reliability and stability.

Combining F.I.S.O. and FE-Group know how, customers will benefit from added value in terms of technology, product innovation and service.



Panvisus Trio



with wood
laminate panels

ALU version

FEATURES AND STANDARD EQUIPMENT

- Electric height adjustable rotating table for three instruments, with manual rotation.
- Electromagnetic locking of both table and table arm in all positions.
- PRIMA chair with electric height adjustment, with black skai upholstery and without footrest.
- Transformer for instruments power supply.
- Overhead lamp and chart projector support arm.
- Anti-dust foldaway drawer for ophthalmoscope and skiascope.
- Either grey painting with wood laminate unit panels or either white or light grey painting with unit panels covered with the same fabric of chair.

For more information



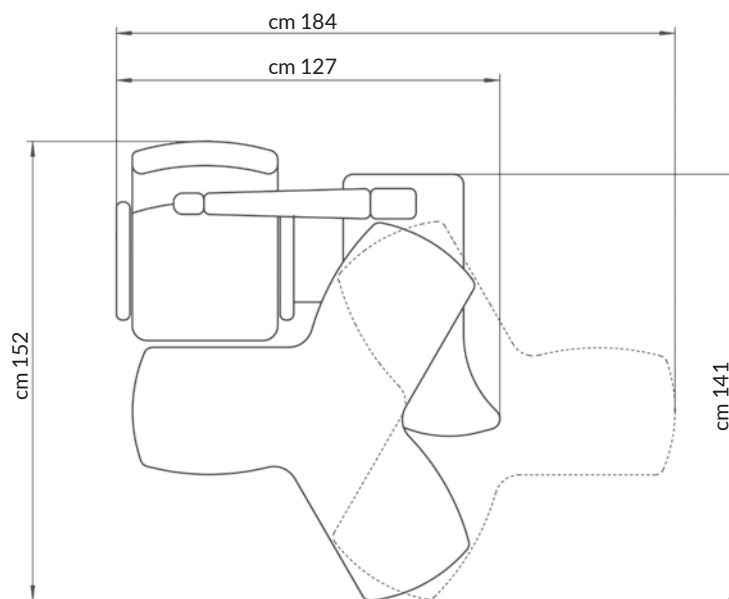
STANDARD CONFIGURATION*

69

PANVISUS TRIO - with electric height adjustable rotating table for three instruments, with manual rotation.

*The standard configuration includes the PRIMA chair with electric height adjustment, with black skai upholstery and without footrest. The refraction unit is optionally also available in a left-handed version and/or with other chair models instead of the PRIMA chair. For refraction unit and chair colours and chair features, see pages 48 and 50.

TO KNOW MORE ASK FOR OUR PRICE LIST.



ACCESSORIES AND SPECIAL VERSIONS (PAGE 52)

- Counterbalanced phoropter arm.
- Stand for automatic phoropter console with laminate base.
- Foot switch control for chair up/down movement.
- Tip-up footrest for Prima chair.
- Either Gloria, Liberty, Sonne, Alles or Doctor chair, instead of Prima chair.
- Motorized backward/forward movement for Prima or Gloria or Liberty chair, complete with additional footswitch control.
- Overhead lamp with adjustable light intensity.
- ALU version: grey painting with unit panels made of an exclusive aluminium laminate wood.
- Polished metallic painting (grey, green, light blue).
- All F.I.S.O.'s chair coverings other than black.
- Left-handed version.

Panvisus Duo



ALU version

with wood laminate panels

FEATURES AND STANDARD EQUIPMENT

- Electric height adjustable rotating table for two instruments, with manual rotation.
- Electromagnetic locking of both table and table arm in all positions.
- PRIMA chair with electric height adjustment, with black skai upholstery and without footrest.
- Transformer for instruments power supply.
- Overhead lamp and chart projector support arm.
- Anti-dust foldaway drawer for ophthalmoscope and skiascope.
- Either grey painting with wood laminate unit panels or either white or light grey painting with unit panels covered with the same fabric of chair.

For more information

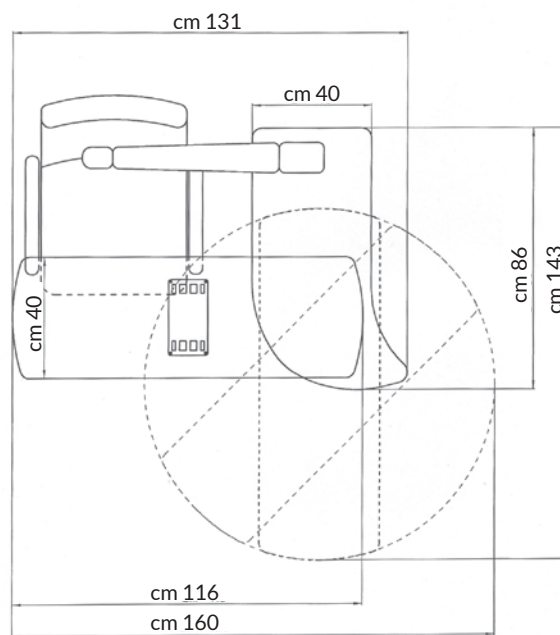


STANDARD CONFIGURATION*

70 PANVISUS DUO - with electric height adjustable rotating table, with manual rotation.

*The standard configuration includes the PRIMA chair with electric height adjustment, with black skai upholstery and without footrest. The refraction unit is optionally also available in a left-handed version and/or with other chair models instead of the PRIMA chair. For refraction unit and chair colours and chair features, see pages 48 and 50.

TO KNOW MORE ASK FOR OUR PRICE LIST.



ACCESSORIES AND SPECIAL VERSIONS (PAGE 52)

- Counterbalanced phorofter arm.
- Stand for automatic phorofter console with laminate base.
- Foot switch control for chair up/down movement.
- Tip-up footrest for Prima chair.
- Either Gloria, Liberty, Sonne, Alles or Doctor chair, instead of Prima chair.
- Motorized backward/forward movement for Prima or Gloria or Liberty chair complete, with additional footswitch control.
- Overhead lamp with adjustable light intensity.
- ALU version: grey painting with unit panels made of an exclusive aluminium laminate wood.
- Polished metallic painting (grey, green, light blue).
- All F.I.S.O.'s chair coverings other than black.
- Left-handed version.

Panvisus Onda Lens



FEATURES AND STANDARD EQUIPMENT

- Fixed height sliding table for two instruments.
- Electromagnetic locking of table arm.
- Very comfortable special drawer with tray for 236 trial lenses.
- PRIMA chair with electric height adjustment, with black skai upholstery and without footrest.
- Transformer for instruments power supply.
- Overhead lamp and chart projector support arm.
- Anti-dust foldaway drawer for ophthalmoscope and skiascope.
- Grey painting. Base and unit panels in wood laminate.

For more information

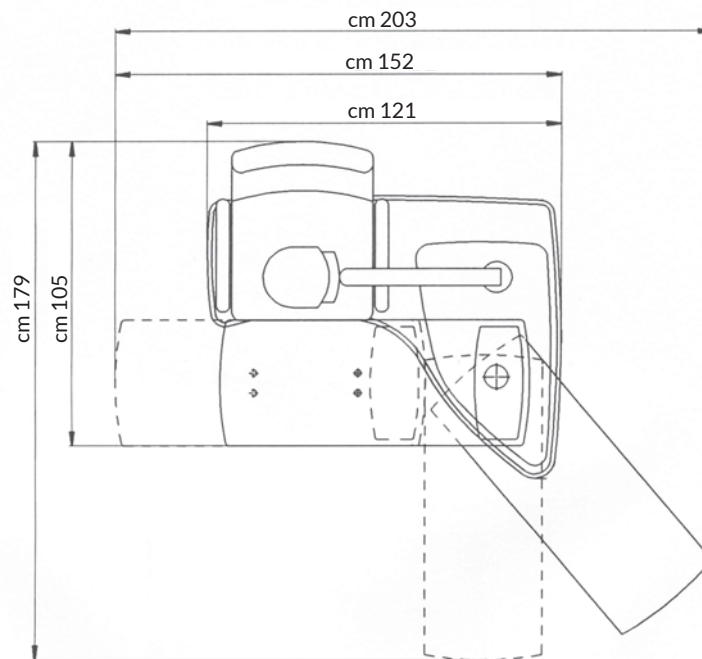


STANDARD CONFIGURATION*

67L PANVISUS ONDA LENS - with sliding table with fixed height.

*The standard configuration includes the PRIMA chair with electric height adjustment, with black skai upholstery and without footrest. The refraction unit is optionally also available in a left-handed version and/or with other chair models instead of the PRIMA chair. For refraction unit and chair colours and chair features, see pages 48 and 50.

TO KNOW MORE ASK FOR OUR PRICE LIST.



ACCESSORIES AND SPECIAL VERSIONS (PAGE 52)

- Counterbalanced phoropter arm.
- Stand for automatic phoropter console with laminate base.
- Foot switch control for chair up/down movement.
- Tip-up footrest for Prima chair.
- Either Gloria, Liberty, Sonne, Alles or Doctor chair, instead of Prima chair.
- Motorized backward/forward movement for Prima or Gloria or Liberty chair, complete with additional footswitch control.
- Overhead lamp with adjustable light intensity.
- ALU version: grey painting with unit panels made of an exclusive aluminium laminate wood.
- All F.I.S.O.'s chair coverings other than black.
- Left-handed version.

Panvisus Moon Lens



with wood
laminated panels

ALU version

FEATURES AND STANDARD EQUIPMENT

- Fixed height sliding table for two instruments.
- Electromagnetic locking of table arm.
- Very comfortable special drawer with tray for 236 trial lenses.
- Embedded chest of four drawers.
- PRIMA chair with electric height adjustment, with black skai upholstery and without footrest.
- Transformer for instruments power supply.
- Overhead lamp and chart projector support arm.
- Anti-dust foldaway drawer for ophthalmoscope and skiascope.
- Either grey painting with wood laminate unit panels or either white or light grey painting with unit panels covered with the same fabric of chair.

For more information

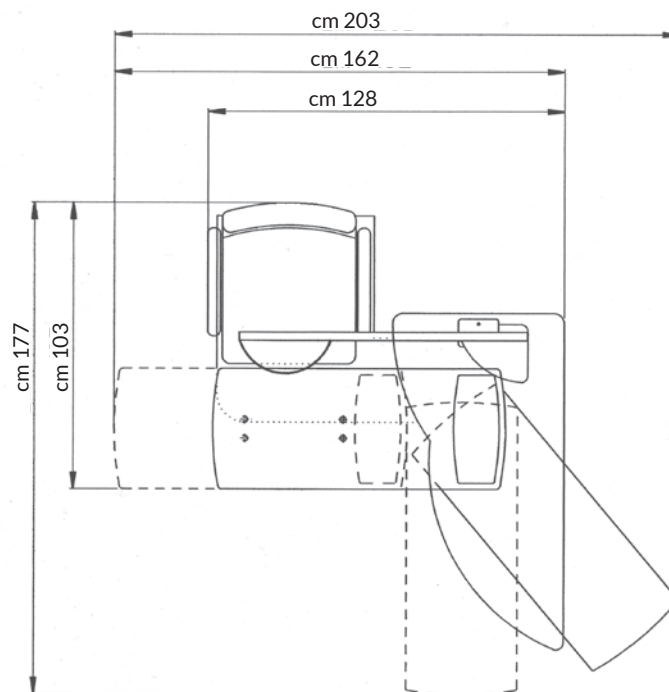


STANDARD CONFIGURATION*

65L PANVISUS MOON LENS - with sliding table with fixed height.

*The standard configuration includes the PRIMA chair with electric height adjustment, with black skai upholstery and without footrest. The refraction unit is only available in the right-handed version and, optionally, also with other chair models instead of the PRIMA chair. For refraction unit and chair colours and chair features, see pages 48 and 50.

TO KNOW MORE ASK FOR OUR PRICE LIST.



ACCESSORIES AND SPECIAL VERSIONS (PAGE 52)

- Counterbalanced phoropter arm.
- Stand for automatic phoropter console with laminate base.
- Foot switch control for chair up/down movement.
- Tip-up footrest for Prima chair.
- Either Gloria, Liberty, Sonne or Alles chair, instead of Prima chair.
- Motorized backward/forward movement for Prima or Gloria or Liberty chair, complete with additional footswitch control.
- Overhead lamp with adjustable light intensity.
- ALU version: grey painting with unit panels made of an exclusive aluminium laminate wood.
- Polished metallic painting (grey, green, light blue).
- All F.I.S.O.'s chair coverings other than black.

Panvisus Moon



with wood laminate panels



ALU version

FEATURES AND STANDARD EQUIPMENT

- Fixed height sliding table for two instruments.
- Electromagnetic locking of table arm.
- Embedded chest of four drawers.
- PRIMA chair with electric height adjustment, with black skai upholstery and without footrest.
- Transformer for instruments power supply.
- Overhead lamp and chart projector support arm.
- Anti-dust foldaway drawer for ophthalmoscope and skiascope.
- Either grey painting with wood laminate unit panels or either white or light grey painting with unit panels covered with the same fabric of chair.

For more information

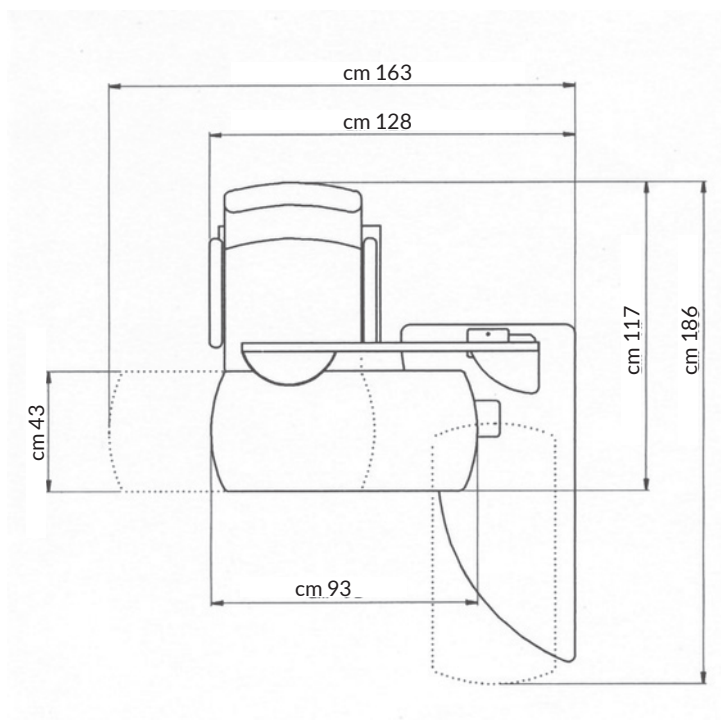


STANDARD CONFIGURATION*

65C PANVISUS MOON - with sliding table with fixed height.

*The standard configuration includes the PRIMA chair with electric height adjustment, with black skai upholstery and without footrest. The refraction unit is only available in the right-handed version and, optionally, also with other chair models instead of the PRIMA chair. For refraction unit and chair colours and chair features, see pages 48 and 50.

TO KNOW MORE ASK FOR OUR PRICE LIST.



ACCESSORIES AND SPECIAL VERSIONS (PAGE 52)

- Counterbalanced phorofter arm.
- Stand for automatic phorofter console with laminate base.
- Foot switch control for chair up/down movement.
- Tip-up footrest for Prima chair.
- Either Gloria, Liberty, Sonne or Alles chair, instead of Prima chair.
- Motorized backward/forward movement for Prima or Gloria or Liberty chair, complete with additional footswitch control.
- Overhead lamp with adjustable light intensity.
- ALU version: grey painting with unit panels made of an exclusive aluminium laminate wood.
- Polished metallic painting (grey, green, light blue).
- All F.I.S.O.'s chair coverings other than black.

Panvisus Rondo Lens



FEATURES AND STANDARD EQUIPMENT

- Fixed height sliding table for two instruments.
- Electromagnetic locking of table arm.
- Very comfortable special drawer with tray for 236 trial lenses.
- PRIMA chair with electric height adjustment, with black skai upholstery and without footrest.
- Transformer for instruments power supply.
- Overhead lamp and chart projector support arm.
- Anti-dust foldaway drawer for ophthalmoscope and skiascope.
- Unit painting: light grey. On demand: white or grey or honey grey.

For more information

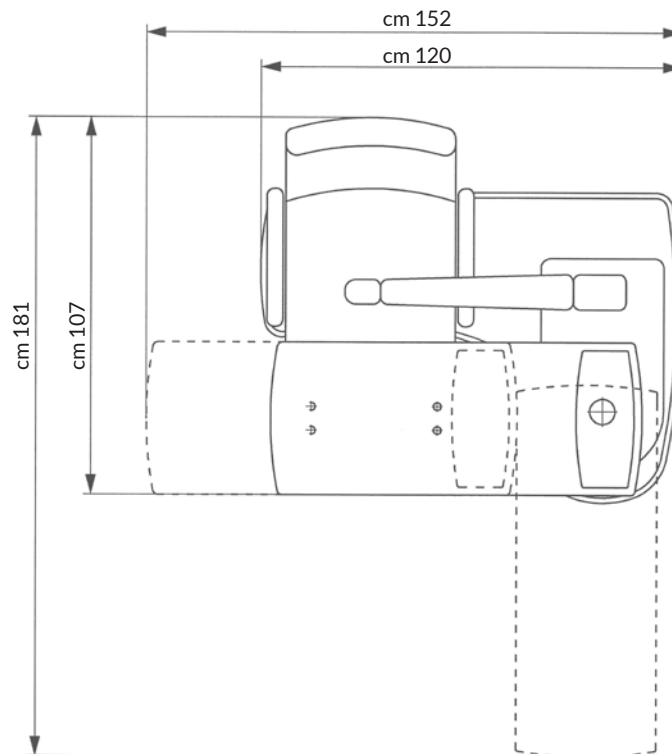


STANDARD CONFIGURATION*

62L	PANVISUS RONDO LENS - refraction unit with fixed height sliding table for two instruments, with electromagnetic locking of table arm, with special drawer with tray for 236 trial lenses, with chair with electric height adjustment.
-----	---

*The standard configuration includes the PRIMA chair with electric height adjustment, with black skai upholstery and without footrest. The refraction unit is optionally also available in a left-handed version and/or with other chair models instead of the PRIMA chair. For refraction unit and chair colours and chair features, see pages 48 and 50.

TO KNOW MORE ASK FOR OUR PRICE LIST.



ACCESSORIES AND SPECIAL VERSIONS (PAGE 52)

- Counterbalanced phoropter arm or motorized vertical phoropter arm.
- Stand for automatic phoropter console with laminate base.
- Foot switch control for chair up/down movement.
- Tip-up footrest for Prima chair.
- Either Gloria, Liberty, Sonne, Alles or Doctor chair, instead of Prima chair.
- Motorized backward/forward movement for Prima or Gloria or Liberty chair, complete with additional footswitch control.
- Overhead lamp with adjustable light intensity.
- Polished metallic painting (grey, green, light blue).
- All F.I.S.O.'s chair coverings other than black.
- Left-handed version.

Panvisus Rondo



62B
with V shaped table with fixed height

62C
with sliding table with fixed height

FEATURES AND STANDARD EQUIPMENT

- Either sliding or V shaped table for two instruments, with either fixed height or electric up/down movement.
- Electromagnetic locking of table arm.
- PRIMA chair with electric height adjustment, with black skai upholstery and without footrest.
- Transformer for instruments power supply.
- Overhead lamp and chart projector support arm.
- Anti-dust foldaway drawer for ophthalmoscope and skiascope (only on version with fixed height table).
- Unit painting: light grey. On demand: white or grey or honey grey.

For more information

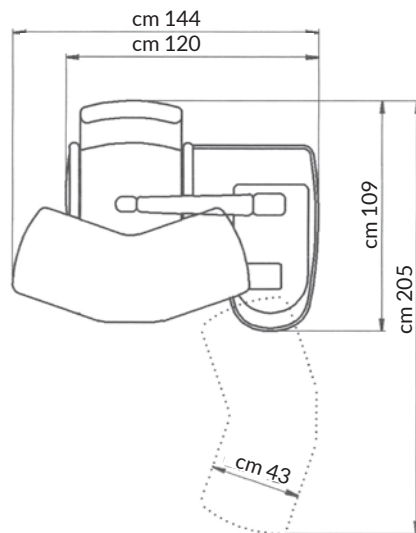


STANDARD CONFIGURATION*

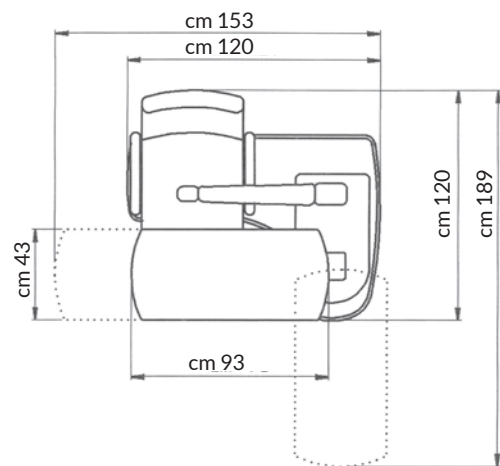
62B	PANVISUS RONDO - with V shaped table with fixed height.
62EB	PANVISUS RONDO - with V shaped table with electric up/down movement.
62C	PANVISUS RONDO - with sliding table with fixed height.
62EC	PANVISUS RONDO - with sliding table with electric up/down movement.

*All standard configurations include the PRIMA chair with electric height adjustment, with black skai upholstery and without footrest. All configurations are optionally also available in a left-handed version and/or with other chair models instead of the PRIMA chair. For refraction unit and chair colours and chair features, see pages 48 and 50.

TO KNOW MORE ASK FOR OUR PRICE LIST.



62B/62EB DIMENSIONS
(WITH V SHAPED TABLE)



62C/62EC DIMENSIONS
(WITH SLIDING TABLE)

ACCESSORIES AND SPECIAL VERSIONS (PAGE 52)

- Counterbalanced phoropter arm or motorized vertical phoropter arm.
- Stand for automatic phoropter console with laminate base.
- Foot switch control for chair up/down movement.
- Tip-up footrest for Prima chair.
- Either Gloria, Liberty, Sonne, Alles or Doctor chair, instead of Prima chair.
- Motorized backward/forward movement for Prima or Gloria or Liberty chair, complete with additional footswitch control.
- Overhead lamp with adjustable light intensity.
- Polished metallic painting (grey, green, light blue).
- All F.I.S.O.'s chair coverings other than black.
- Left-handed version.

Panvisus Compact Rondo



62D
with rotating table
with fixed height



62EDC
with sliding table with
electric up/down movement



62DL
with rotating table
with fixed height and DRAWER

FEATURES AND STANDARD EQUIPMENT

- Rotating table for two instruments, with or without drawer with tray for trial lenses, or sliding table for two instruments, with either fixed height or electric up/down movement.
- Electromagnetic locking of both rotating table and table arm.
- PRIMA chair with electric height adjustment, with black skai upholstery and without footrest.
- Transformer for instruments power supply.
- Overhead lamp and chart projector support arm.
- Unit painting: light grey. On demand: white or grey or honey grey.

For more information

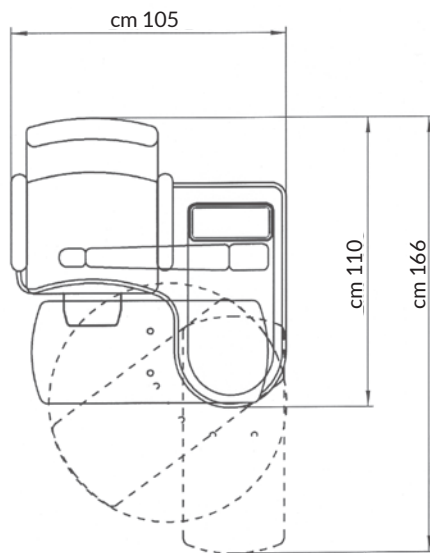


STANDARD CONFIGURATION*

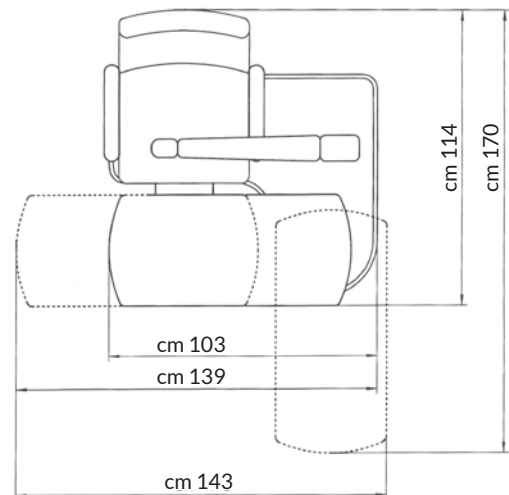
62D	PANVISUS COMPACT RONDO - with rotating table with fixed height.
62ED	PANVISUS COMPACT RONDO - with rotating table with electric up/down movement.
62DC	PANVISUS COMPACT RONDO - with sliding table with fixed height.
62EDC	PANVISUS COMPACT RONDO - with sliding table with electric up/down movement.
62DL	PANVISUS COMPACT RONDO WITH DRAWER - with rotating table with fixed height.
62EDL	PANVISUS COMPACT RONDO WITH DRAWER - with rotating table with electric up/down movement.

*All standard configurations include the PRIMA chair with electric height adjustment, with black skai upholstery and without footrest. All configurations are optionally also available in a left-handed version and/or with other chair models instead of the PRIMA chair. For refraction unit and chair colours and chair features, see pages 48 and 50.

TO KNOW MORE ASK FOR OUR PRICE LIST.



62D/62ED/62DL/62EDL DIMENSIONS
(WITH ROTATING TABLE)



62DC/62EDC DIMENSIONS
(WITH SLIDING TABLE)

ACCESSORIES AND SPECIAL VERSIONS (PAGE 52)

- Counterbalanced phorofter arm or motorized vertical phorofter arm.
- Stand for automatic phorofter console with laminate base.
- Foot switch control for chair up/down movement.
- Tip-up footrest for Prima chair.
- Either Gloria, Liberty, Sonne or Alles chair, instead of Prima chair.
- Motorized backward/forward movement for Prima or Gloria or Liberty chair, complete with additional footswitch control.
- Overhead lamp with adjustable light intensity.
- Wood tray with either 148 flat trial lenses (51-AL) or 148 meniscus trial lenses (61-AL), for 400530 and 400530S.
- Polished metallic painting (grey, green, light blue).
- All F.I.S.O.'s chair coverings other than black.
- Left-handed version.

Panvisus Doublette



FEATURES AND STANDARD EQUIPMENT

- Fixed height V shaped table for two instruments, equipped with special mechanism for perfect centring of instruments.
- Mechanic locking of table arm in all positions.
- PRIMA chair with electric height adjustment, with black skai upholstery and without footrest.
- Transformer for instruments power supply.
- Overhead lamp and chart projector support arm.
- Anti-dust foldaway drawer for ophthalmoscope and skiascope.
- Unit painting: light grey. On demand: white or grey or honey grey.

For more information

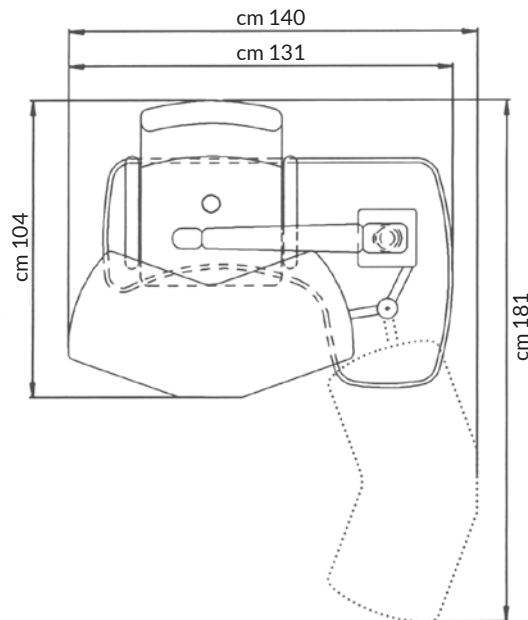


STANDARD CONFIGURATION*

68	PANVISUS DOUBLETTE Refraction unit with fixed height V shaped table for two instruments equipped with special mechanism for perfect centring of instruments, with mechanic locking of table arm in all positions, with chair with electric height adjustment.
----	---

*The standard configuration includes the PRIMA chair with electric height adjustment, with black skai upholstery and without footrest. The refraction unit is optionally also available in a left-handed version and/or with other chair models instead of the PRIMA chair. For refraction unit and chair colours and chair features, see pages 48 and 50.

TO KNOW MORE ASK FOR OUR PRICE LIST.



ACCESSORIES AND SPECIAL VERSIONS (PAGE 52)

- Counterbalanced phoropter arm.
- Stand for automatic phoropter console with laminate base.
- Cover box to mask control unit of automatic phoropter.
- Foot switch control for chair up/down movement.
- Tip-up footrest for Prima chair.
- Either Gloria, Liberty, Sonne, Alles or Doctor chair, instead of Prima chair.
- Overhead lamp with adjustable light intensity.
- Polished metallic painting (grey, green, light blue).
- All F.I.S.O.'s chair coverings other than black.
- Left-handed version.



FEATURES AND STANDARD EQUIPMENT

- Fixed height table for one instrument.
- Mechanic locking of table arm in all positions.
- PRIMA chair with electric height adjustment, with no rotation and without footrest, with black skai upholstery.
- 230V power supply for the instrument.
- Support plate for chart projector, without overhead lamp.
- Unit painting: either light grey or grey or honey grey or white.

For more information

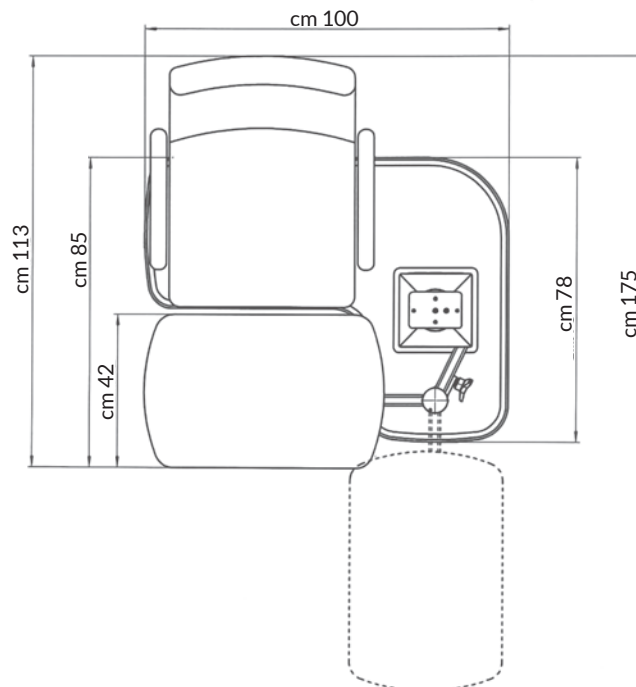


STANDARD CONFIGURATION*

58	PANVISUS ONETTE Refraction unit with fixed height table for one instrument, with mechanic locking of table arm in all positions, with chair with electric height adjustment. Very compact dimensions: only 100 cm wide!
----	--

*The standard configuration includes the PRIMA chair with electric height adjustment, with no rotation and without footrest, with black skai upholstery. The refraction unit is optionally also available in a left-handed version and/or with other chair models instead of the PRIMA chair. For refraction unit and chair colours and chair features, see pages 48 and 50.

TO KNOW MORE ASK FOR OUR PRICE LIST.



ACCESSORIES AND SPECIAL VERSIONS (PAGE 52)

- Counterbalanced phoropter arm.
- Stand for automatic phoropter console with laminate base.
- Cover box to mask control unit of automatic phoropter.
- Either overhead lamp or chart projector support plate provided with spot lamp.
- Chart projector support arm.
- Foot switch control for chair up/down movement.
- Prima chair with 360° rotation and either with or without tip-up footrest.
- Either Gloria, Liberty, Sonne or Alles chair, instead of Prima chair.
- Polished metallic painting (grey, green, light blue).
- All F.I.S.O.'s chair coverings.
- Left-handed version.



FEATURES AND STANDARD EQUIPMENT

Simplevisus

- Stand with standalone base and with chart projector support plate.
- Unit in grey colour. On demand: light grey or honey grey or white.

Monovisus

- Stand with standalone base and with chart projector support arm.
- Overhead lamp.
- Unit in grey colour. On demand: light grey or honey grey or white.

For more information



SIMPLEVISUS

60MS

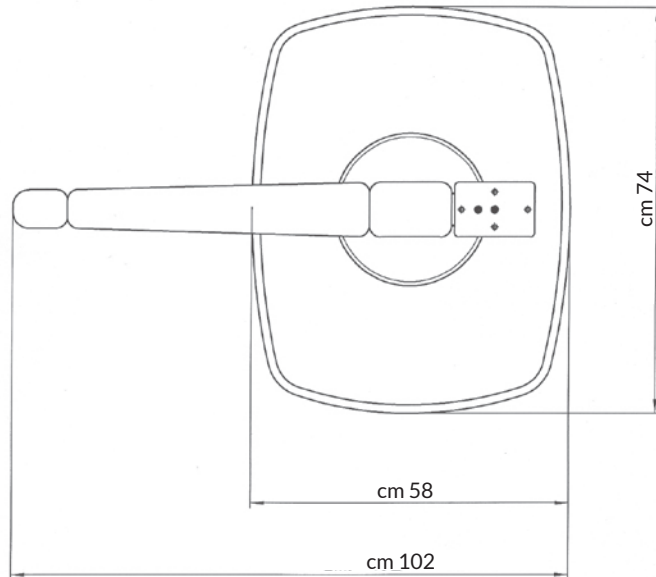
Stand for phoropter arm, provided with standalone base and equipped with chart projector support plate. It can be used with any standalone chairs or with simple stools.

MONOVISUS

60M

Stand for phoropter arm, provided with standalone base and equipped with chart projector support arm and with overhead lamp. It can be used with any standalone chairs or with simple stools.

TO KNOW MORE ASK FOR OUR PRICE LIST.



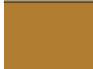




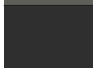


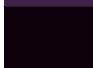




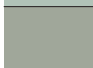
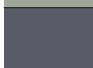
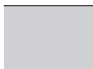
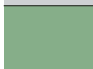
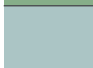
ACCESSORIES AND SPECIAL VERSIONS (PAGE 52)



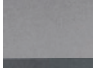

- Counterbalanced phoropter arm.
- Stand for automatic phoropter console with laminate base.
- Support tray for small instruments.
- Standard chair with manual pneumatic elevation; or either Prima, Gloria, Liberty, Sonne, Alles or Doctor standalone chair with electric up/down movement with foot switch control; or any F.I.S.O. stool.

REFRACTION
UNITS
AND CHAIRS
COLOURS



AVAILABLE COLOURS OF CHAIRS		MODELS
	01 - Black skai	<ul style="list-style-type: none"> • All chairs
	02 - Beige skai	
	03 - Yellow skai	
	04 - Green skai	
	05 - Red skai	
	06 - Bordeaux skai	
	07 - Grey skai	
	08 - Dark grey skai	
	09 - Blue skai	
	10 - Violet skai	
	11 - Dark brown skai	

AVAILABLE COLOURS OF REFRACTION UNITS		MODELS
Colours of standard finishes		<ul style="list-style-type: none"> • All refraction units
	W - White RAL 9003	
	L - Light grey	
	H - Honey grey	
	I - Grey	
Colours of optional metallic finishes		<ul style="list-style-type: none"> • All refraction units
	MG - Metallic grey	
	MV - Metallic green	
	MA - Metallic light blue	

AVAILABLE LAMINATES FOR REFRACTION UNITS		MODELS
Laminates for panels of some refraction units		<ul style="list-style-type: none"> • Panvisus Moon • Panvisus Moon Lens • Panvisus Onda Lens • Panvisus Duo - Trio
	LW - Wood	
	A - Aluminium	
Laminates for refraction unit bases		<ul style="list-style-type: none"> • Depending on models
	LG - Grey	
	DG - Dark grey	

CHAIRS



Standard - 88G



Prima - 88GE



Gloria - 88FE



Liberty - 88LE



Sonne - 88IE



Alles - 88HE



Doctor - 88D

For more information

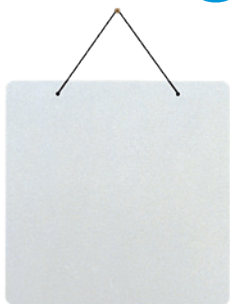


FEATURES AND STANDARD EQUIPMENT*

Models	Features	Dimensions cm (W x D)	Accessories and special versions	Headrest	Footrest
Standard 88G	Chair with black skai upholstery, fixed backrest, tip-up armrests, 360° lockable rotation. Height adjustment from 50 to 62 cm through pneumatic piston with unlock lever. Elegant five arm chrome-plated base with a diameter of 66 cm.	63 x 70	All F.I.S.O.'s chair coverings other than black.	-	-
Prima 88GE	Chair with black skai upholstery, fixed backrest, fixed armrests, 360° lockable rotation, without footrest, no headrest. Electrical height adjustment from 50 to 65 cm with foot-switch control. Nice and sturdy base, in dark grey laminated wood, which assures great stability.	63 x 87	Base provided with "hidden wheels" (i.e. 2 bearing balls and 2 wheels, with no lock) allowing to move the chair on hard floors. Motorized backward/forward movement complete with additional footswitch control.	-	Optional
Gloria 88FE	Chair with black skai upholstery, fixed backrest, fixed armrests, 360° lockable rotation, tip-up footrest, no headrest. Electrical height adjustment from 50 to 65 cm with foot-switch control. Nice and sturdy base, in dark grey laminated wood, which assures great stability.	60 x 85	Base provided with "hidden wheels" (i.e. 2 bearing balls and 2 wheels, with no lock) allowing to move the chair on hard floors. Motorized backward/forward movement complete with additional footswitch control.	-	Tip - up
Liberty 88LE	Chair with black skai upholstery, fixed backrest, tip-up armrests, 360° lockable rotation, tip-up footrest, no headrest. Electrical height adjustment from 50 to 65 cm with foot-switch control. Nice and sturdy base, in dark grey laminated wood, which assures great stability.	63 x 89	Base provided with "hidden wheels" (i.e. 2 bearing balls and 2 wheels, with no lock) allowing to move the chair on hard floors. Motorized backward/forward movement complete with additional footswitch control.	-	Tip - up
Sonne 88IE	Chair with black skai upholstery, manual reclining backrest with pneumatic mechanism for automatic return to vertical position, tip-up and lockable armrests, 360° lockable rotation, tip-up footrest, without headrest. Electrical height adjustment from 50 to 65 cm with foot-switch control. Nice and sturdy base, in dark grey laminated wood, which assures great stability.	63 x 87 137 reclined (152 with headrest)	Headrest with both backward/forward and up/down adjustment. Electrical height adjustment from 55 to 75 cm, instead of 50-65 cm. Base provided with "hidden wheels" (i.e. 2 bearing balls and 2 wheels, with no lock) allowing to move the chair on hard floors.	Optional	Tip - up
Alles 88HE	Chair with black skai upholstery, manual reclining backrest with simultaneous movement of leg rest to horizontal position and with pneumatic mechanism for automatic return to vertical position, tip-up and lockable armrests, 360° lockable rotation. Electrical height adjustment from 50 to 65 cm with foot-switch control. Nice and sturdy base, in dark grey laminated wood, which assures great stability.	63 x 87 156 reclined (171 with headrest)	Headrest with both backward/forward and up/down adjustment. Electrical height adjustment from 55 to 75 cm, instead of 50-65 cm. Base provided with "hidden wheels" (i.e. 2 bearing balls and 2 wheels, with no lock) allowing to move the chair on hard floors.	Optional	Fixed
Doctor 88D	Chair with black skai upholstery, electrically reclining wide backrest with simultaneous movement of leg rest to horizontal position and with foot-switch control, tip-up and lockable armrests, 135° left & 135° right lockable rotation, fixed footrest, cushion headrest with up/down adjustment. Electrical height adjustment from 53 to 68 cm with foot-switch control. Big and sturdy base, in grey laminated wood, which assures great stability.	74 x 97 168 reclined	Electrical height adjustment from 58 to 78 cm, instead of 53-68 cm. Base provided with "hidden wheels" (i.e. 2 bearing balls and 2 wheels, with no lock) allowing to move the chair on hard floors.	Cushion	Fixed

* All models are optionally available in all F.I.S.O.'s chair coverings other than black. See colors at page 48.

ACCESSORIES



79A

Chart projector wall screen for chart projector, with string for hanging on the wall (375x375 mm).



63CF-I

Stand for automatic phoropter console in grey colour with metal base.

63CF-W: in white.

63CF-L: in light grey colour.

63CF-H: in honey grey colour.

63CF-M: in polished metallic colours (grey, green, light blue).



Motorized vertical phoropter arm. Available with or without the LED light spot for near vision, for right or left handed refraction units and in all the colors of the F.I.S.O. refraction units.

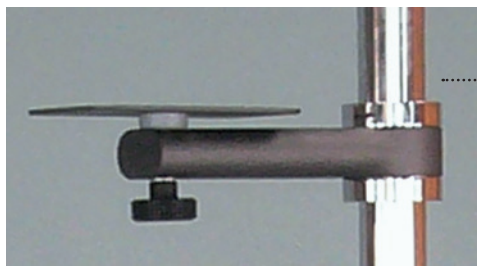
Link to the site to discover both on which F.I.S.O. refraction units it can be installed (by using the proper adapter) and related codes.

73CY-x with light spot.

73CN-x without light spot.

73RY-x with light spot.

73RN-x without light spot.



87-I

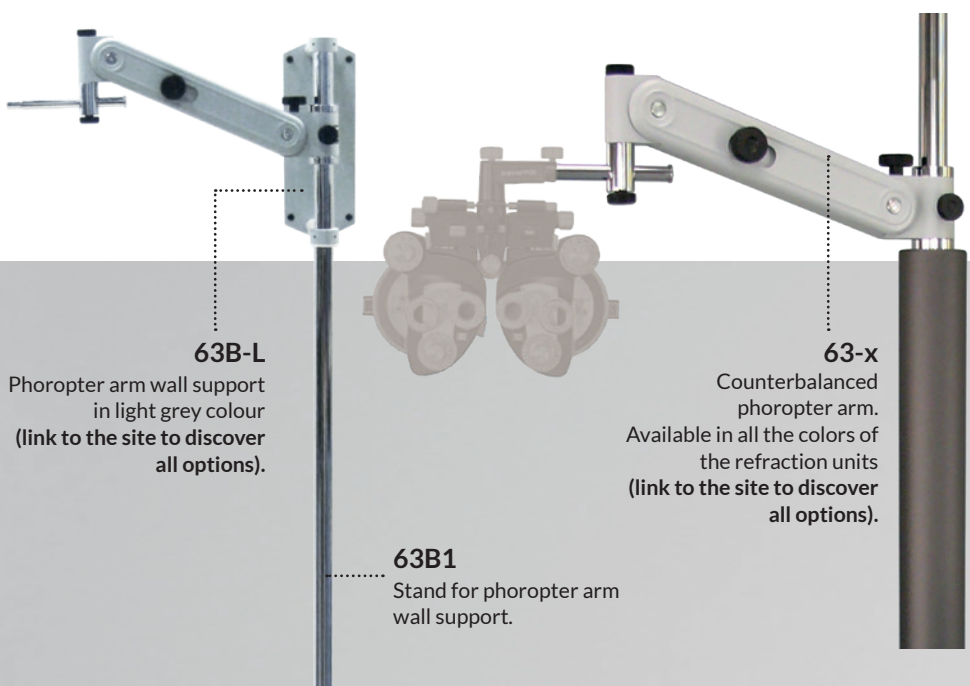
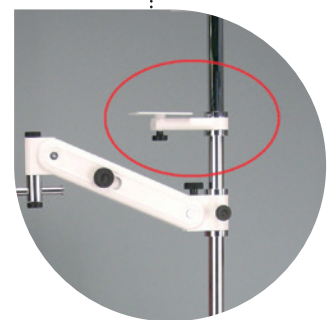
Chart projector support arm in grey colour.

87-L: in light grey colour.

87-W: in white colour.

87-H: in honey grey colour.

87-M: in polished metallic colours (grey, green, light blue).



63B-L

Phoropter arm wall support in light grey colour (link to the site to discover all options).

63-x

Counterbalanced phoropter arm. Available in all the colors of the refraction units (link to the site to discover all options).

63B1

Stand for phoropter arm wall support.



Chin Rest

Chin rest provided with occluder and without fixation light, supplied complete with a set of 500 chin rest papers.

77-L: in light grey colour.

77-W: in white colour.

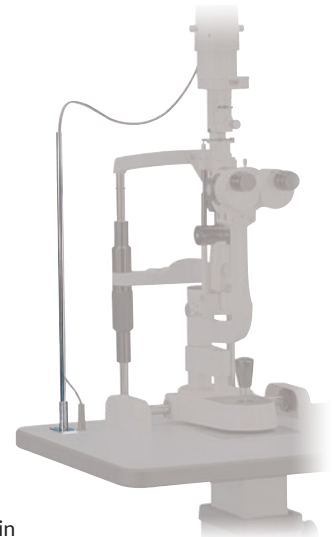
77-I: in grey colour.

77-H: in honey grey colour.

78

Slit lamp cable holding rod.

The chrome-plated slit lamp cable holding rod is joint to its base by means of a chrome-plated spring that makes it flexible, preventing it from breaking in the event of accidental impacts.



CHEST OF DRAWERS

47-S: completely in MDF wood painted in either light grey or white or grey or honey grey colour.

47-M: completely in MDF wood painted in polished metallic colours (grey, green, light blue).

47-W: in grey colour and with both rear and lateral panels of wood laminate.

47-A: in grey colour and with both rear and lateral panels of aluminium laminate.



Chart projector wall support.

Universal wall support for chart projector, with rotating support plate and locking knob.

86-W: in white colour.

86-I: in grey colour.

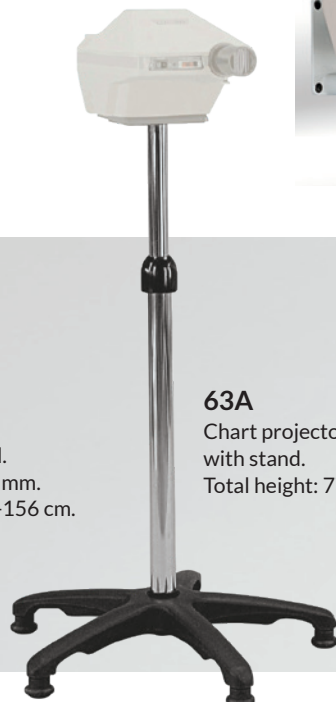
86-H: in honey grey colour.

86-M: in polished metallic colours (grey, green, light blue).



79B

Chart projector screen with stand.
Screen: 375x375 mm.
Total height: 114-156 cm.



63A

Chart projector support with stand.
Total height: 77-119 cm.



63C-L

Stand for automatic phoropter console (in light grey colour) with laminate base.

63C-W: in white.

63C-I: in grey colour.

63C-H: in honey grey colour.

63C-M: in polished metallic colours (grey, green, light blue).

DRAWERS AND CONTACTOLOGY SETS



FIVE DRAWERS UNIT SMALL SIZE WITH WHEELS

400150

OPTIONAL ACCESSORIES

- 51-AL or 61-AL: 148 lenses set in wood tray (flat or meniscus).
- 61/51-AL1: EMPTY wood tray for 148 lenses set.

FIVE DRAWER UNIT

400155R with wheels.

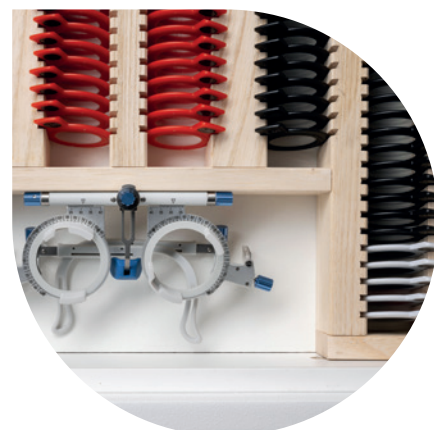
400155 without wheels.

OPTIONAL ACCESSORIES

- 51-BD or 61-BD: 236 lenses set in plastic tray (flat or meniscus).
- 61-51/BD1: EMPTY plastic tray for 236 lenses set.

FIVE DRAWERS UNIT DIMENSIONS

	Without wheels	With wheels	SMALL with wheels
Depth	55 cm		42.5 cm
Width	60.5 cm		43 cm
Height	75.5 cm	76.5 cm	76.5 cm





MODULAR CONTACTOLOGY SET



400160

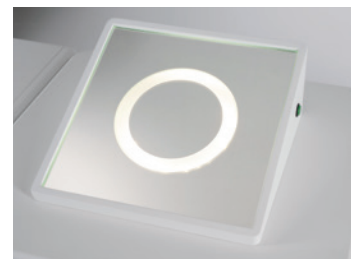


400155

400165

COMPONENTS

400155	5 DRAWER UNIT without wheels
400160	CONTACTOLOGY UNIT with mirror
400165	CONTACTOLOGY UNIT with sink



DIMENSIONS OF MODULES

	MIRROR	SINK
Depth	55 cm	
Width	60.5 cm	
Height	75.5 cm	

TABLES



HERCULES WITH STEEL BASE



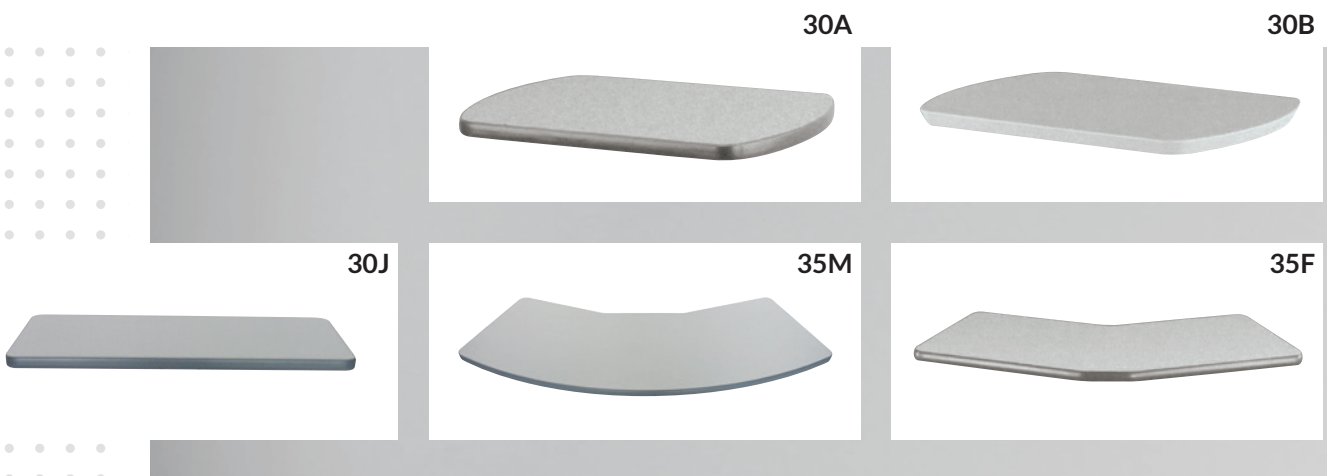
HERCULES WITH PROGRESS BASE



96H1
Handy remote control.



96H2
Foot switch control.



HERCULES WITH STEEL BASE

Description	Height without table top	
	73 - 93 cm	63 - 83 cm
Hercules table, steel base with self-blocking wheels, without table top	96H	96HZ
Hercules table, steel base with castors without brake, without table top	96HR	96HZR

HERCULES WITH PROGRESS BASE WITH FEET

Description	Height without table top	
	70 - 90 cm	60 - 80 cm
Hercules table, grey laminate progress base with feet, central column, without table top	96HPC	96HZPC
Hercules table, grey laminate progress base with feet, lateral column, without table top	96HPL	96HZPL
Hercules table, wooden laminate progress base with feet, central column, without table top	96HEC	96HZEC
Hercules table, wooden laminate progress base with feet, lateral column, without table top	96HEL	96HZEL

HERCULES WITH PROGRESS BASE WITH CASTORS WITH BRAKE

Description	Height without table top	
	73 - 93 cm	63 - 83 cm
Hercules table, grey laminate progress base with castors with brake, central column, without table top	96HRPC	96HZRPC
Hercules table, grey laminate progress base with castors with brake, lateral column, without table top	96HRPL	96HZRPL
Hercules table, wooden laminate progress base with castors with brake, central column, without table top	96HREC	96HZREC
Hercules table, wooden laminate progress base with castors with brake, lateral column, without table top	96HREL	96HZREL

TABLE TOPS

Description	Overall dimensions	Instruments	
Grey laminate table top cm 66x48x3	66 x 48 x 3 cm	1	30A
Painted MDF wood table top cm 66x48x3	66 x 48 x 3 cm	1	30B
Grey laminate table top cm 66x40x3	66 x 40 x 3 cm	1	30C
Wooden laminate table top cm 66x48x3	66 x 48 x 3 cm	1	30E
Grey laminate table top cm 90x48x3	90 x 48 x 3 cm	2	30H
Grey laminate table top cm 85x40x3	85 x 40 x 3 cm	2	30J
Fixed V-shaped table top for two instruments without transformers	101 x 55 x 3 cm	2	35F
Fixed V-shaped table top for two instruments with transformers	111 x 55 x 6 cm	2	35G
Sliding table top for two instruments without transformers	91 x 42 x 8 cm	2	35S
Sliding table top for two instruments with transformers	91 x 42 x 8 cm	2	35T
Fixed Boomerang-shaped table top for three instruments	132 x 56 x 3 cm	3	35M

30C



30E



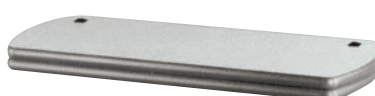
30H



35G



35S



35T



HERCULES WITH FLAT RECTANGULAR BASE



Features:

- Table with electric height adjustment, equipped with a powerful and silent actuator having 150 kg lifting force and 20 cm stroke, operated by a toggle switch located on the column and, optionally, also by either an additional manual or pedal remote control, or an additional control panel to be fixed under the table top.
- Rectangular flat steel plate base, 83x30 cm and 15 mm thick, with bevelled edges and painted with tread-resistant epoxy paints, provided with six adjustable headless screws to compensate for any unevenness in the floor, that allows the use also with wheelchair patients.
- Column in lateral position.
- Height of table top from the floor: 70-90 cm.
- Two 230V (or 110-120V) sockets for instruments power supply, present at the top of column lateral sides.
- Versions at 230V 50/60Hz or 110-120V 50/60Hz.

Table tops available:

- Grey laminate table top cm 90x48x3.
- Grey laminate table top cm 85x40x3.

Product codes:

- **96HKL**: without table top.
- **96HKL-H**: with grey laminate table top cm 90x48x3.
- **96HKL-J**: with grey laminate table top cm 85x40x3.

HERCULES WITH ROTATING TOP FOR ONE INSTRUMENT



Features and standard equipment:

- Table with electric height adjustment, equipped with a powerful and silent actuator having 150 kg lifting force and 20 cm stroke, operated by a toggle switch located on the column and, optionally, also by either an additional pedal remote control, or an additional control panel to be fixed under the table top.
- Table top 66x48x3 cm for one instrument and complete with a 230 V (or 110-120 V) power supply for the instrument.
- Table top support arm with 90° rotation and with manual locking.
- Telescopic column mounted, in a lateral position, on a 10 mm thick L-shaped steel base, with bevelled edges and painted with tread-resistant epoxy paints; or fixable directly to the floor, using four screws and relative inserts supplied.
- Height of table top from the floor (with L shaped base): 75-95 cm (**96HWB-A**) or, optionally, 65-85 cm (**96HZWB-A**).
- Height of table top from the floor (with column fixed on the floor): 74-94 cm (**96HW-A**) or, optionally, 64-84 cm (**96HZW-A**).
- Versions at 230V 50/60Hz or 110-120V 50/60Hz.

Accessories and special versions:

- Leg protection mechanism (**96HW2**).
- Instrument power supply socket with automatic switch-off at the opening of table top support arm (**96HW3**).
- Additional switch on the column to adjust the height of an eventual electric height adjustable chair (**96HW4**).
- Additional power supply socket placed at the bottom of the column for an eventual electric height adjustable chair (**96HW5**).
- Left-handed version (**96HW0**).

HERCULES WITH ROTATING TOP FOR ONE INSTRUMENT AND LAMP



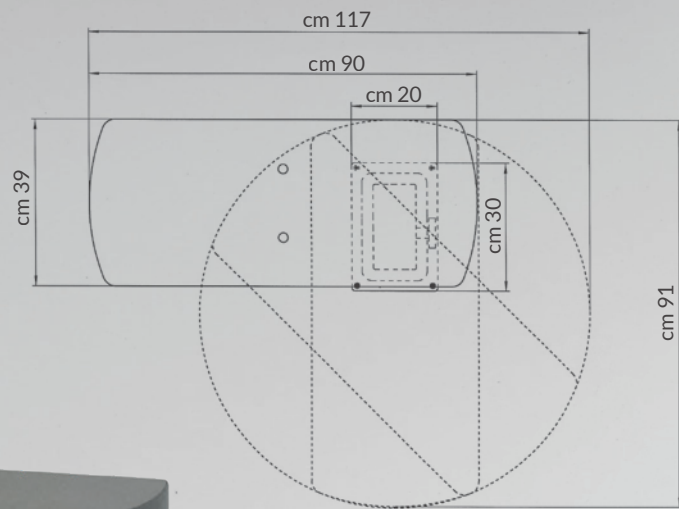
Features and standard equipment:

- Table with electric height adjustment, equipped with a powerful and silent actuator having 150 kg lifting force and 20 cm stroke, operated by a toggle switch located on the column and, optionally, also by an additional pedal remote control.
- Table top 66x48x3 cm for one instrument and complete with a 230 V (or 110-120 V) power supply for the instrument.
- Table top support arm with 90° rotation and with manual locking.
- Base made of two superimposed layers of dark gray laminated wood and reinforced with solid steel plates.
- Pole for supporting the counterbalanced phoropter arm, provided with both overhead lamp and a chart projector support arm.
- Height of table top from the floor: 80-100 cm (**96HWC-A**) or, optionally, 70-90 cm (**96HZWC-A**).
- Versions at 230V 50/60Hz or 110-120V 50/60Hz.

Accessories and special versions:

- Leg protection mechanism (**96HW2**).
- Instrument power supply socket with automatic switch-off at the opening of table top support arm (**96HW3**).
- Additional switch on the column to adjust the height of an eventual electric height adjustable chair (**96HW4**).
- Additional power supply socket placed at the bottom of the column for an eventual electric height adjustable chair (**96HW5**).
- Counterbalanced phoropter arm (**63-I**).
- Left-handed version (**96HWC0**).

HERCULES WITH ROTATING TOP FOR TWO INSTRUMENTS



Features and standard equipment:

- Table with electric height adjustment, equipped with a powerful and silent actuator having 150 kg lifting force and 20 cm stroke, operated by a toggle switch located on the column and, optionally, also by an additional pedal remote control.
- Rotating table top for two instruments, equipped with automatic mechanical locking mechanism and two power supply sockets for the instruments, and available with or without drawer with wooden tray for 158 trial lenses.
- Table top support arm with 90° rotation and with manual locking.
- Transformer for instruments power supply.
- Telescopic column mounted, in a lateral position, on a 10 mm thick L-shaped steel base, with bevelled edges and painted with tread-resistant epoxy paints; or fixable directly to the floor, using four screws and relative inserts supplied.
- Height of table top without/with drawer from the floor (with L shaped base):
83-103 cm (96HWB-D) / 87-107 cm (96HWB-DL) or, optionally, 73-93 cm (96HZWB-D) / 77-97 cm (96HZWB-DL) or 67-87 cm (96HYWB-D) / 71-91 cm (96HYWB-DL).
- Height of table top without/with drawer from the floor (with column fixed on the floor):
82-102 cm (96HW-D) / 86-106 cm (96HW-DL) or, optionally, 72-92 cm (96HZW-D) / 76-96 cm (96HZW-DL) or 66-86 cm (96HYW-D) / 70-90 cm (96HYW-DL).
- Versions at 230V 50/60Hz or 110-120V 50/60Hz.

Accessories and special versions:

- Left-handed version (96HZW0).

HERCULES WITH ROTATING TOP

FOR TWO INSTRUMENTS AND LAMP



Without drawer












Features and standard equipment:

- Table with electric height adjustment, equipped with a powerful and silent actuator having 150 kg lifting force and 20 cm stroke, operated by a toggle switch located on the column and, optionally, also by an additional pedal remote control.
- Rotating table top for two instruments, equipped with automatic mechanical locking mechanism and two power supply sockets for the instruments, and available with or without drawer with wooden tray for 158 trial lenses.
- Table top support arm with 90° rotation and with manual locking.
- Transformer for instruments power supply.
- Base made of two superimposed layers of dark gray laminated wood and reinforced with solid steel plates.
- Pole for supporting the counterbalanced phoropter arm, provided with both overhead lamp and a chart projector support arm.
- Height of table top without drawer from the floor:
88-108 cm (96HWC-D) or, optionally, 78-98 cm (96HZWC-D) or 72-92 cm (96HYWC-D).
- Height of table top with drawer from the floor:
92-112 cm (96HWC-DL) or, optionally, 82-102 cm (96HZWC-DL) or 76-96 cm (96HYWC-DL).
- Versions at 230V 50/60Hz or 110-120V 50/60Hz.

Accessories and special versions:

- Left-handed version (96HZWC0).

STOOLS AND WORK CHAIRS

AVAILABLE STOOLS/CHAIRS COLORS		MODELS
	01 - Black skai	For all Stools/Chairs except: • 92-IB & 92-IBP • 92-IA & 92-IAP • 92-IR & 92-I
	02 - Beige skai	
	03 - Yellow skai	
	04 - Green skai	
	05 - Red skai	
	06 - Bordeaux skai	
	07 - Grey skai	
	08 - Grey skai	
	09 - Blue skai	
	10 - Violet skai	
	11 - Dark brown skai	



92-FA & 92-FAP Stool with Chrome-Plated Base

- Pneumatic height adjustment mechanism.
- Five arms chrome-plated base with diameter of 50 cm, provided with silent and safe castors (92-FA)/ with static glides (92-FAP).
- Round upholstered seat with diameter of 33 cm and with either black skai covering or, optionally, with the other F.I.S.O. chair coverings.
- Chrome-plated pump.
- Seat height: 52-72 cm (92-FA) / 49-69 cm (92-FAP).



Static glides
(92-FBP)

92-FB & 92-FBP
Stool with Black Nylon Base

- Pneumatic height adjustment mechanism.
- Five arms black nylon base with diameter of 60 cm, provided with silent and safe castors (92-FB)/ with static glides (92-FBP).
- Round upholstered seat with diameter of 33 cm and with either black skai covering or, optionally, with the other F.I.S.O. chair coverings.
- Black pump with black folding cover.
- Seat height: 55-73 cm (92-FB) / 52-70 cm (92-FBP).



Static glides
(92-G)

92-GR & 92-G
Osaka For Surgery

- Pneumatic height adjustment mechanism.
- Upholstered seat (43 Wx40 D cm), adjustable in both height and inclination upholstered backrest (40 Wx47 H cm), with either black skai covering or, optionally, with the other F.I.S.O. chair coverings.
- Black pump.
- Five arms black nylon base with diameter of 60 cm, provided with silent and safe castors (92-GR)/ with static glides (92-G).
- Seat height: 61-86 cm (92-GR)/ 58-83 cm (92-G).

For more information





Static glides
(92-LAP)

92-LA & 92-LAP
Tokyo Stool with Chrome-Plated Base

- Pneumatic height adjustment mechanism.
- Round upholstered seat with diameter of 41 cm and with either black skai covering or, optionally, with the other F.I.S.O. chair coverings, provided with black plastic backrest
- Black pump with black elliptic cover.
- Five arms chrome-plated base with diameter of 50 cm, provided with silent and safe castors (92-LA)/ with static glides (92-LAP).
- Seat height: 50-68 cm (92-LA) / 47-65 cm (92-LAP).



Static glides
(92-LBP)

92-LB & 92-LBP
Tokyo Stool with Black Nylon Base

- Pneumatic height adjustment mechanism.
- Round upholstered seat with diameter of 41 cm and with either black skai covering or, optionally, with the other F.I.S.O. chair coverings, provided with black plastic backrest.
- Black pump with black elliptic cover.
- Five arms chrome-plated base with diameter of 60 cm, provided with silent and safe castors (92-LB)/ with static glides (92-LBP).
- Seat height: 52-70 cm (92-LB) / 49-67 cm (92-LBP).



Castors
(92-LR)

92-LR & 92-L Tokyo for Surgery

- Pneumatic height adjustment mechanism.
- Round upholstered seat with diameter of 41 cm and with either black skai covering or, optionally, with the other F.I.S.O. chair coverings, provided with black plastic backrest.
- Black pump.
- Height adjustable chrome-plated footrest ring.
- Five arms black nylon base with diameter of 60 cm, provided with silent and safe castors (92-LR)/ with static glides (92-L).
- Seat height: 58-83 cm (92-LR) / 55-80 cm (92-L).



Static glides
(92-GAP)

92-GA & 92-GAP Osaka Chair with Chrome-Plated Base

- Pneumatic height adjustment mechanism.
- Upholstered seat (43 Wx40 D cm), adjustable in both height and inclination upholstered backrest (40 Wx47 H cm), with either black skai covering or, optionally, with the other F.I.S.O. chair coverings.
- Black pump with black folding cover.
- Five arms chrome-plated base with diameter of 50 cm, provided with silent and safe castors (92-GA)/ with static glides (92-GAP).
- Seat height: 53-71 cm (92-GA) / 50-68 cm (92-GAP).



92-GB & 92-GBP

Osaka Chair with Black Nylon Base

- Pneumatic height adjustment mechanism.
- Upholstered seat (43 Wx40 D cm), adjustable in both height and inclination upholstered backrest (40 Wx47 H cm), with either black skai covering or, optionally, with the other F.I.S.O. chair coverings.
- Black pump with black folding cover.
- Five arms black nylon base with diameter of 60 cm, provided with silent and safe castors (92-GB)/ with static glides (92-GBP).
- Seat height: 55-73 cm (92-GB) / 52-70 cm (92-GBP).



92-IB & 92-IBP

New Stool with Little Back and Black Nylon Base

- Pneumatic height adjustment mechanism.
- Black anatomic seat.
- Black pump with black folding cover.
- Five arms black nylon base with diameter of 60 cm, provided with silent and safe castors (92-IB)/ with static glides (92-IBP).
- Seat height: 54-72 cm (92-IB) / 51-69 cm (92-IBP).



Static glides
(92-IAP)

92-IA & 92-IAP
Stool with Little Back with Chrome-Plated Base

- Pneumatic height adjustment mechanism.
- Black anatomic seat.
- Chrome-plated pump.
- Five arms chrome-plated base with diameter of 50 cm, provided with silent and safe castors (92-IA)/ with static glides (92-IAP).
- Seat height: 51-71 cm (92-IA)/ 48-68 cm (92-IAP).



Castors
(92-IR)

92-IR & 92-I
Surgery Stool

- Pneumatic height adjustment mechanism.
- Black anatomic seat.
- Black pump.
- Height adjustable chrome-plated footrest ring.
- Five arms black nylon base with diameter of 60 cm, provided with silent and safe castors (92-IR)/ with static glides (92-I).
- Seat height: 60-85 cm (92-IR) / 57-82 cm (92-I).



F.I.S.O. a brand of FE-Group Srl
Via IV Novembre 118
21058 Solbiate Olona (VA) - Italy
P + 39 0331 640979
www.fiso.info