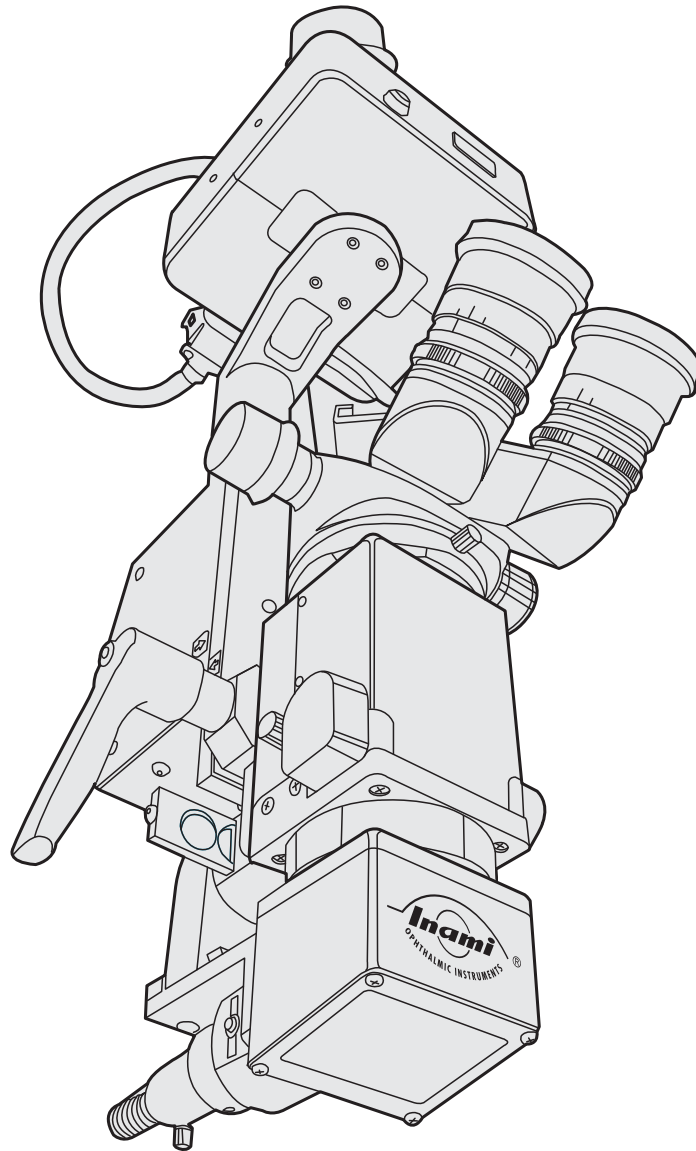


OPERATION MICROSCOPE

Quality Optics



MADE IN JAPAN

www.inami.co.jp/english



www.facebook.com/inami.japan

TERA-21

L-0980A

Automatic Zoom Operation Microscope

Cataract Surgery

Vitreoretinal Surgery

Other Ophthalmic Surgery



Motorised X-Y stage



One-touch bulb changer



Motorised zoom & focus



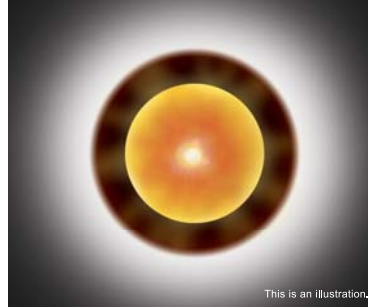
Apochromatic objective lens



Red Reflex Booster



VOLK's MERLIN compatible



L-0980A features a unit for cataract surgery called "Red Reflex Booster" that provides operator with super-bright red reflex to ensure the clearer view and safety during the operation.



L-0980A is officially compatible with VOLK Optical's MERLIN Surgical System which provides precise control of non-contact lens position and focus for clear, crisp views during vitreoretinal surgery.

Other functions

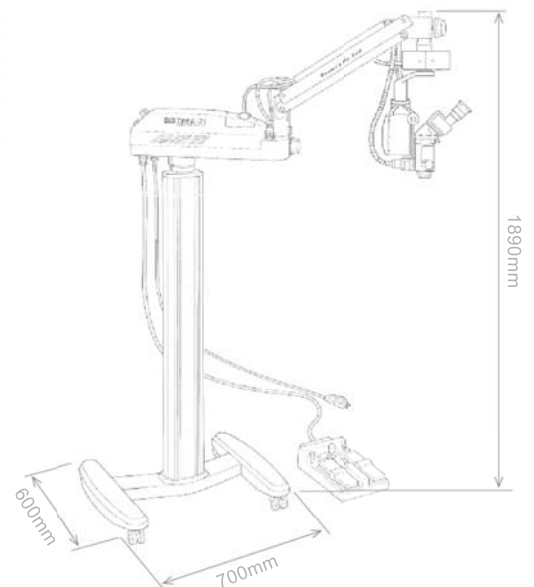
Binoculars with PD adjustment knob,
Foot remote controller, X-Y centering button,
Continuous light intensity controller
Various filters



MOTORISED
ZOOM MAG
5x - 30x



Microscope head of L-0980A is fully equipped with high-grade optical and mechanical systems. Motorised zoom and focusing function can comfortably controlled with foot remote controller.



GIGA-21

L-0980M

Manual Zoom Operation Microscope

Cataract Surgery

Vitreoretinal Surgery

Other Ophthalmic Surgery



Motorised focus

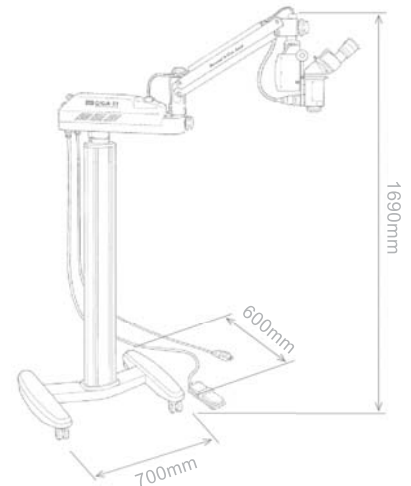


One-touch bulb changer



Other functions

Foot remote controller,
Continuous light intensity controller
Various filters



MEGA-80

L-0990A

Semi-Auto Operation Microscope

Cataract Surgery

Vitreoretinal Surgery

Other Ophthalmic Surgery



Motorised X-Y stage

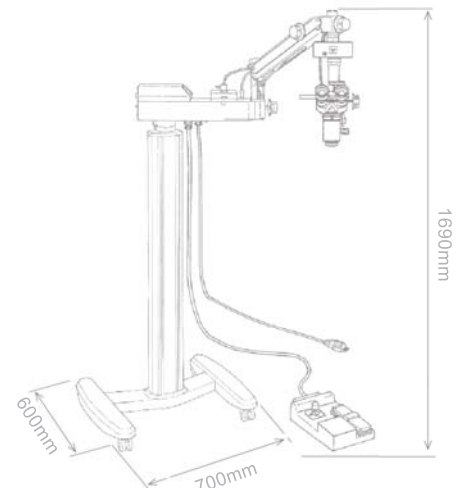


Motorised focus



Other functions

Foot remote controller,
Continuous light intensity controller
Various filters



MEGA-21

L-0990

5-Steps Operation Microscope

Cataract Surgery

Vitreoretinal Surgery

Other Ophthalmic Surgery



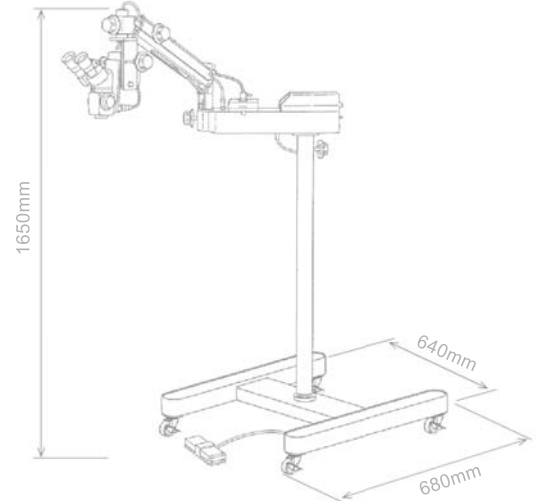
Motorised focus



5 STEPS MAG
4x, 6x, 10, 16x, 25x

Other functions

Foot remote controller,
Continuous light intensity controller
Various filters



MEGA-10

L-0970

Multi-Operation Microscope

ENT Surgery

Plastic Surgery

Veterinary Surgery

Other Surgery



ENT coupling



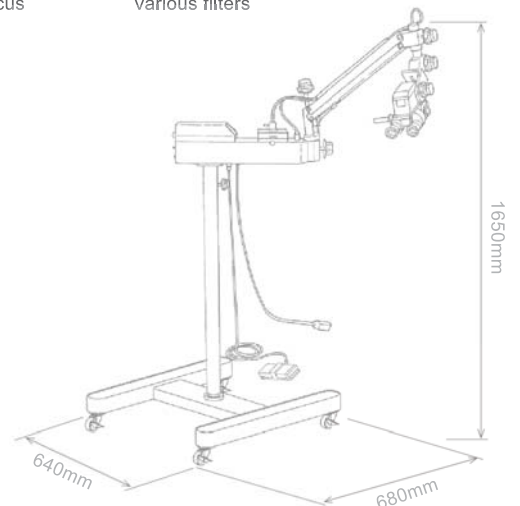
Motorised focus



5 STEPS MAG
4x, 6x, 10, 16x, 25x

Other functions

Foot remote controller,
Continuous light intensity controller
Various filters



DECA-21

L-0940SD

Zoom Portable Operation Microscope

Cataract Surgery
Plastic Surgery

Eye Camp
Veterinary Surgery

Other Ophthalmic Surgery
Other Surgery



Carrying case



Fine focusing slider



Built-in C-mount & camera (factory option)

Other functions

Continuous light intensity controller
Various filters
L-R side changer
Pole and base (optional) compatible



MANUAL ZOOM MAG 6x - 18x



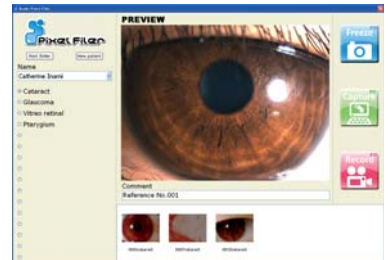
L-0940SD can be securely contained in a high quality lockable carrying case with TSA lock system and vibration-resistant casters that ensure safe and smooth transportation of the microscope during travel.



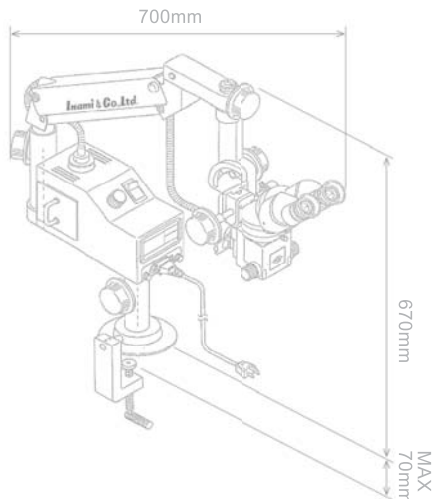
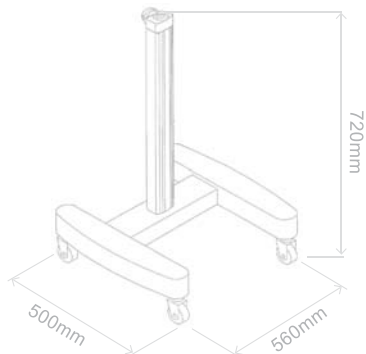
With the optional built-in C-mount system, extra beam splitter device and video camera mount are no longer necessary for video recording. (factory option)



With the optional pole and base (K-1422), L-0940SD can be used as a stand type operation microscope.



When digital CCD camera is chosen with built-in C-mount system (factory option), a free filing software "Pixel Filer" will be accompanied. All the useful functions can be easily and intuitively controlled by the user-friendly interface.



EASIO *AD*

L-0980AD

Automatic Multi Operation Microscope



Ideal for dental use

Endodontic Surgery

Other dental Surgery

Other Surgery



360 degree dental coupling*



Motorised X-Y stage



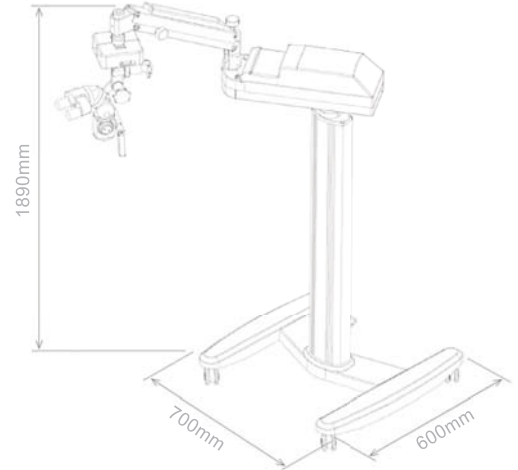
One-touch bulb changer



5 STEPS MAG
4x, 6x, 10, 16x, 25x

Other functions

Foot remote controller,
Continuous light intensity controller
Various filters



* With L-R swinging adapter (L-0980AD-1), objective lens and magnification changing unit can be moved 360 degree without changing the position of binoculars.

EASIO *smart*

L-0950D

Compact Multi Operation Microscope



Ideal for dental use

Endodontic Surgery

Other dental Surgery

Other Surgery



360 degree dental coupling*



Fine focusing slider



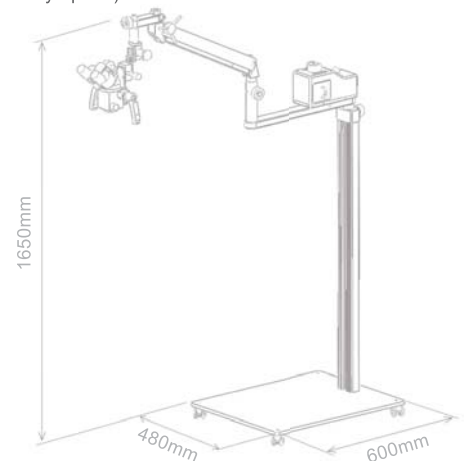
Built-in C-mount & camera
(Factory option)



MANUAL ZOOM MAG
6x - 18x

Other functions

Continuous light intensity controller
Various filters









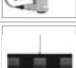













* With L-R swinging adapter (L-0950D-2) and inclinable adapter (L-0950D-1), objective lens and magnification changing unit can be moved 360 degree without changing the position of binoculars.

Specifications

	TERA-21 L-0980A	GIGA-21 L-0980M	MEGA-30 L-0990A	MEGA-21 L-0990	MEGA-10 L-0970	DECA-21 L-0940SD	EASIO AD L-0980AD	EASIO smart L-0950D
Microscope								
Type	Galilean type binocular microscope							
Magnification Changer	Continuous auto zoom	Continuous zoom by drum rotation	5 Steps by drum rotation			Continuous zoom by drum rotation	5 Steps by drum rotation	Continuous zoom by drum rotation
Eyepiece	12.5 x Wide field high eye point with helicoidal diopter adjustment					15 x with helicoidal diopter adjustment	12.5 x Wide field high eye point with helicoidal diopter adjustment	15 x with helicoidal diopter adjustment
Total Magnification	5x - 30x		4x, 6x, 10x, 16x, 25x			6x - 18x	4x, 6x, 10x, 16x, 25x	6x - 18x
Field of View	Φ55 - 10mm	Φ49 - 9mm	Φ51 - 8mm		Φ72 - 11mm	Φ35 - 10mm	Φ72 - 11mm	Φ50 - 14mm
Pupillary Adjustment	50 - 75mm							
Objective Lens	F=200mm Apochromatic	F=175mm			F=250mm	F=175mm	F=250mm	
Diopter Adjustment	-6D - +5D					-6D - +6D	-6D - +5D	-6D - +6D
Illumination								
Filter	Cobalt, Red free, Heat absorption, 1/2ND						Yellow, Red free, Heat absorption, 1/2ND	
Light Source	15V 150W Halogen bulb with cold mirror filter					21V 150W Halogen bulb with cold mirror filter	15V 150W Halogen bulb with cold mirror filter	21V 150W Halogen bulb with cold mirror filter
Maximum intensity	135,000Lux	110,000Lux				80,000Lux	110,000Lux	80,000Lux
Co-axial Illumination Field	Φ50mm					Φ40mm	Φ50mm	Φ40mm
Focal Adjustment								
Type	Motorised					Manual slider	Manual fine focus (Option)	Manual slider
Adjustable Distance	40mm					30mm	8mm (Option)	30mm
Focusing Speed	1.3mm/sec					-		
Head Inclination								
Head Inclination Angle	0° - 30°				0° - 90°		-	
Head Swing Angle	-				Left - Right: -30° - +30°		Left - Right: -30° - +30° Back - Forth: -30° - +30°	
Objective Lens Swing Angle	-					Left - Right: -15° - +15° (Option) Back - Forth: -40° - +40° (Option)		Left - Right: -15° - +15° (Option) Back - Forth: -40° - +40° (Option)
Foot Remote								
Type	Floor Type					-	Floor Type	-
Weight	4kgs	1.3kgs				-	2.5kgs	-
Red Reflex Unit								
Type	Detachable	Detachable (Option)				-	Detachable (Option)	-
Filter	UV	UV (Option)				-	UV (Option)	-
Total Weight	72kgs	70kgs	67kgs	63kgs	64kgs	15kgs	70kgs	36kgs

Optional accessories

	Code	Description	TERA-21 L-0980A	GIGA-21 L-0980M	MEGA-80 L-0990A	MEGA-21 L-0990	MEGA-10 L-0970	DECA-21 L-0940SD	EASIO AD L-0980AD	EASIO smart L-0950D
1	 L-0541	Beam splitter device	●	●	●	●	●	●	●	●
2	 L-0542	Observation tube Monocular	●	●	●	●	●	●	●	●
3	 L-0542-CB	Assistant binocular microscope	●	●	●	●	●	●	●	●
4	 L-0544	Video camera adaptor with C-mount (F=100mm)	●	●	●	●	●		●	
5	 L-0568	CCD camera 480 TV lines	●	●	●	●	●		●	
6	 L-0940SD-D50 L-0940SD-D70 L-0940SD-D100	L-0940SD with 1.3M digital camera and software (F=50mm) L-0940SD with 1.3M digital camera and software (F=70mm) L-0940SD with 1.3M digital camera and software (F=100mm) * Factory option. Please select PAL / NTSC						●		
7	 L-0940SD-A50 L-0940SD-A70 L-0940SD-A100	L-0940SD with L-0568 CCD camera (F=50mm) L-0940SD with L-0568 CCD camera (F=70mm) L-0940SD with L-0568 CCD camera (F=100mm) * Factory option. Please select PAL / NTSC						●		
8	 L-0950D-D50 L-0950D-D70 L-0950D-D100	L-0950D with 1.3M digital camera and software (F=50mm) L-0950D with 1.3M digital camera and software (F=70mm) L-0950D with 1.3M digital camera and software (F=100mm) * Factory option. Please select PAL / NTSC								●
9	 L-0950D-A50 L-0950D-A70 L-0950D-A100	L-0950D with L-0568 CCD camera (F=50mm) L-0950D with L-0568 CCD camera (F=70mm) L-0950D with L-0568 CCD camera (F=100mm) * Factory option. Please select PAL / NTSC								●
10	 L-0541DC-FR	Foot remote controller for digital camera						●		●
11	 L-0500	Red reflex unit "Red Reflex Booster" with VOLK's "Merlin" adapter	Equipped	●	●	●	●	●	●	●
12	 L-0980AD-1	L-R Swing adaptor for L-0980AD							●	
13	 L-0950D-1	Inclinable binocular adapter								●
14	 L-0950D-2	L-R Swing adapter for L-0950D								●
15	 L-1422	Stand for L-0940SD with H style base						●		
16	 MS-6M-10010	1:6 manual zoom magnification changer unit					●			
17	 OBJ-001 OBJ-002 OBJ-003 OBJ-008 OBJ-012 OBJ-014	Objective lens F=200 (Ophthalmic surgery) Objective lens F=250 (ENT surgery, Dental surgery) Objective lens F=300 (Neurosurgery) Objective lens F=175 (Ophthalmic surgery) Objective lens F=350 (Laryngeal surgery) Objective lens F=400 (Laryngeal surgery)		●	●	●	●	●	●	●
18	 OBJ-021AP	Apochromatic wide objective lens F=175	●							
19	 OBJ-033D	Objective lens with fine focusing function F=250mm							●	
20	 L-0548	45 degree adapter					●			

Designs and specifications are subject to change.

Inami & Co., Ltd.

No.24-2, Hongo 3-chome, Bunkyo-ku,
Tokyo 113-0033, Japan
Tel: +81 (3) 3814-5916 Fax: +81 (3) 5684-2126
E-mail: corpinfo@inami.co.jp



Certified Management System
DIN EN ISO 9001
JIS Q 9001
EN ISO 13485
ISO 13485

www.facebook.com/inami.japan

